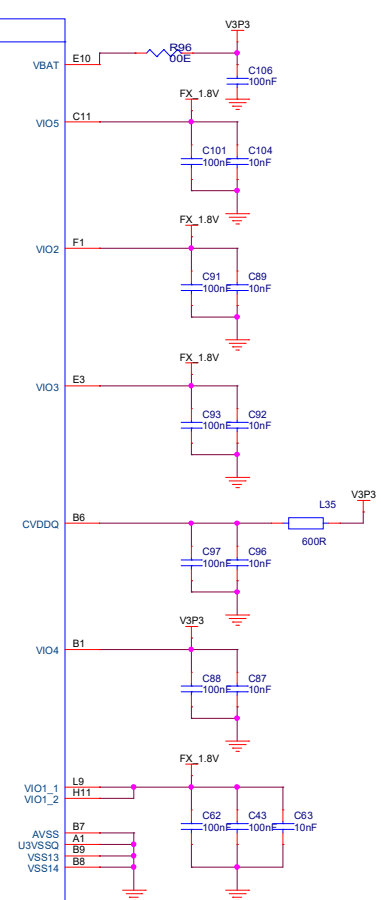
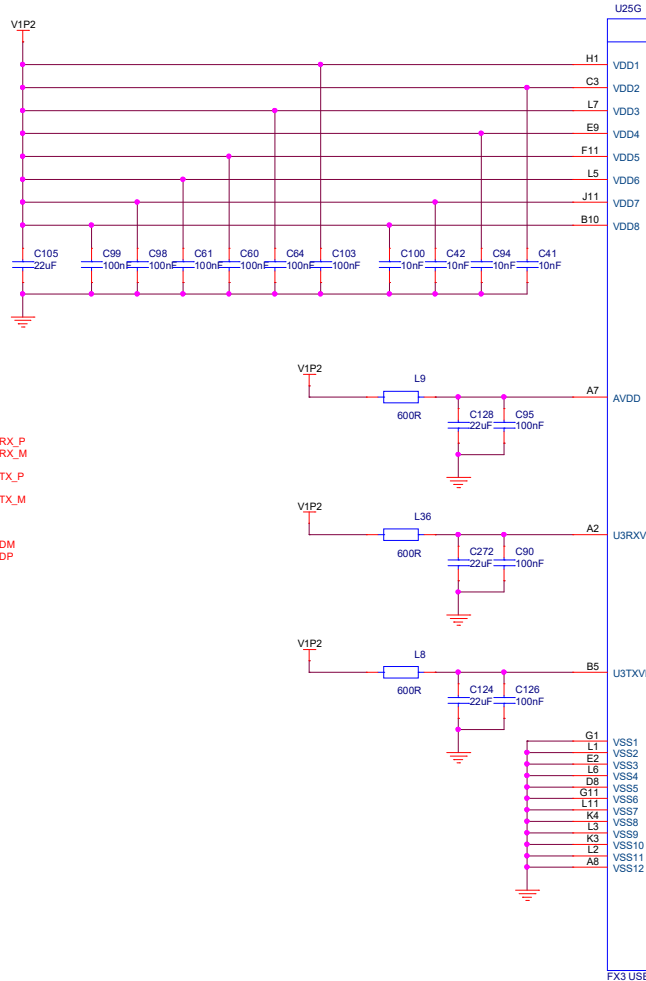
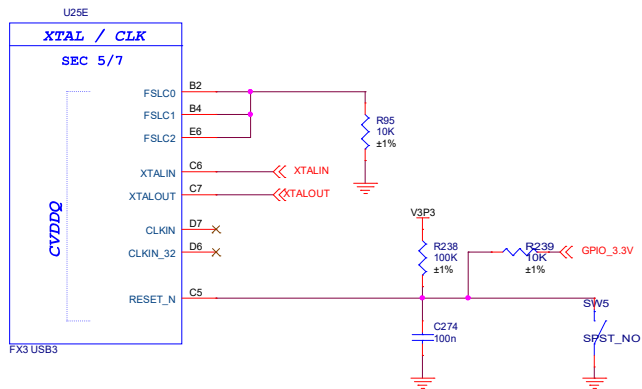
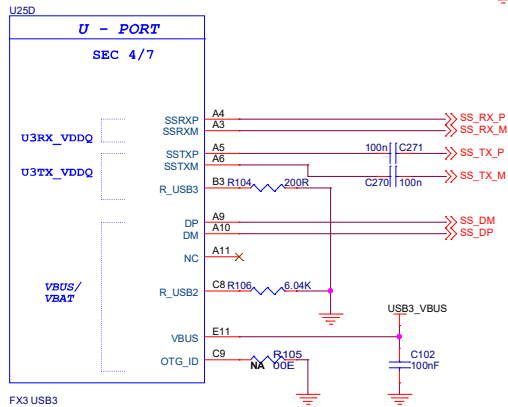


Title			BWB Bright Way Vision
COMBOX_600260-00			
Size	Document Number	Rev	
A3	Power	-	
Date:	Tuesday, December 10, 2019	Sheet	2 of 16



Title		<b>COMBOX_600260-00</b>		
Size	Document Number	USB1		
A3		Date:	Tuesday, December 10, 2019	Sheet 12 of 16

D

C

B

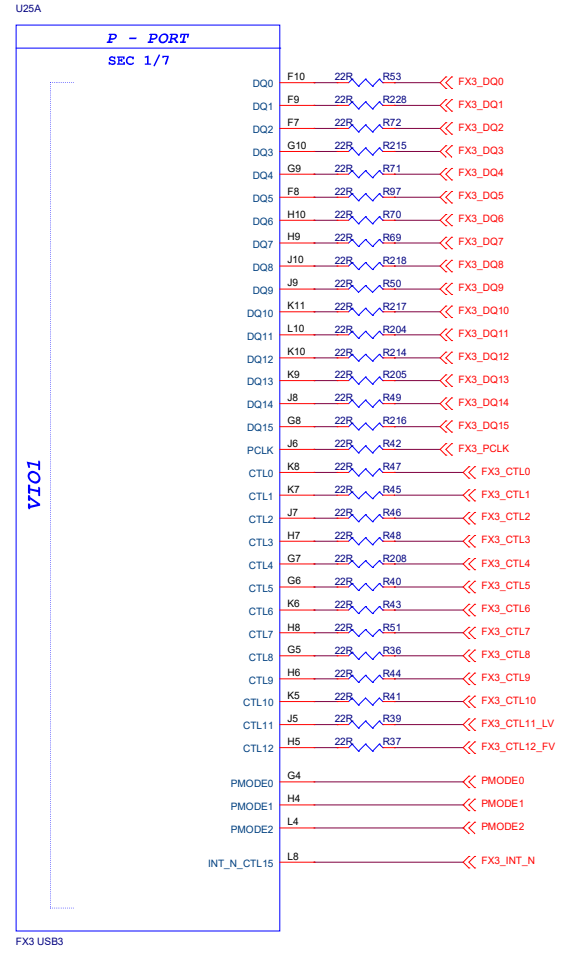
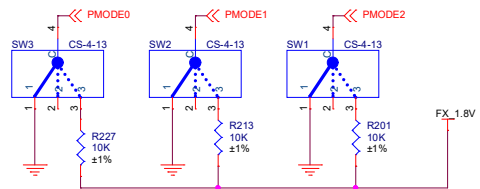
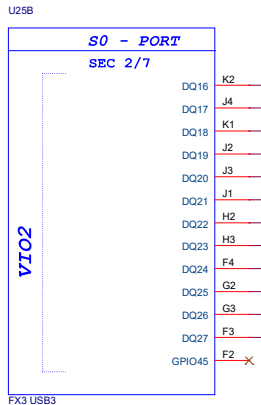
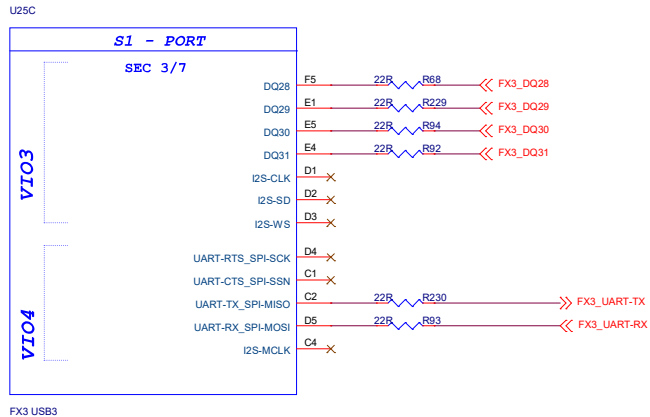
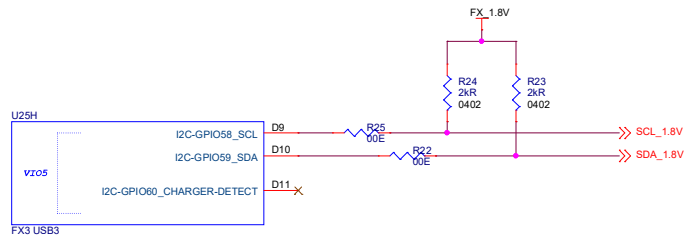
A

D

C

B

A



Title		<b>COMBOX_600260-00</b>			
Size	Document Number	USB2			
A3		Date:	Tuesday, December 10, 2019	Sheet	13 of 16

