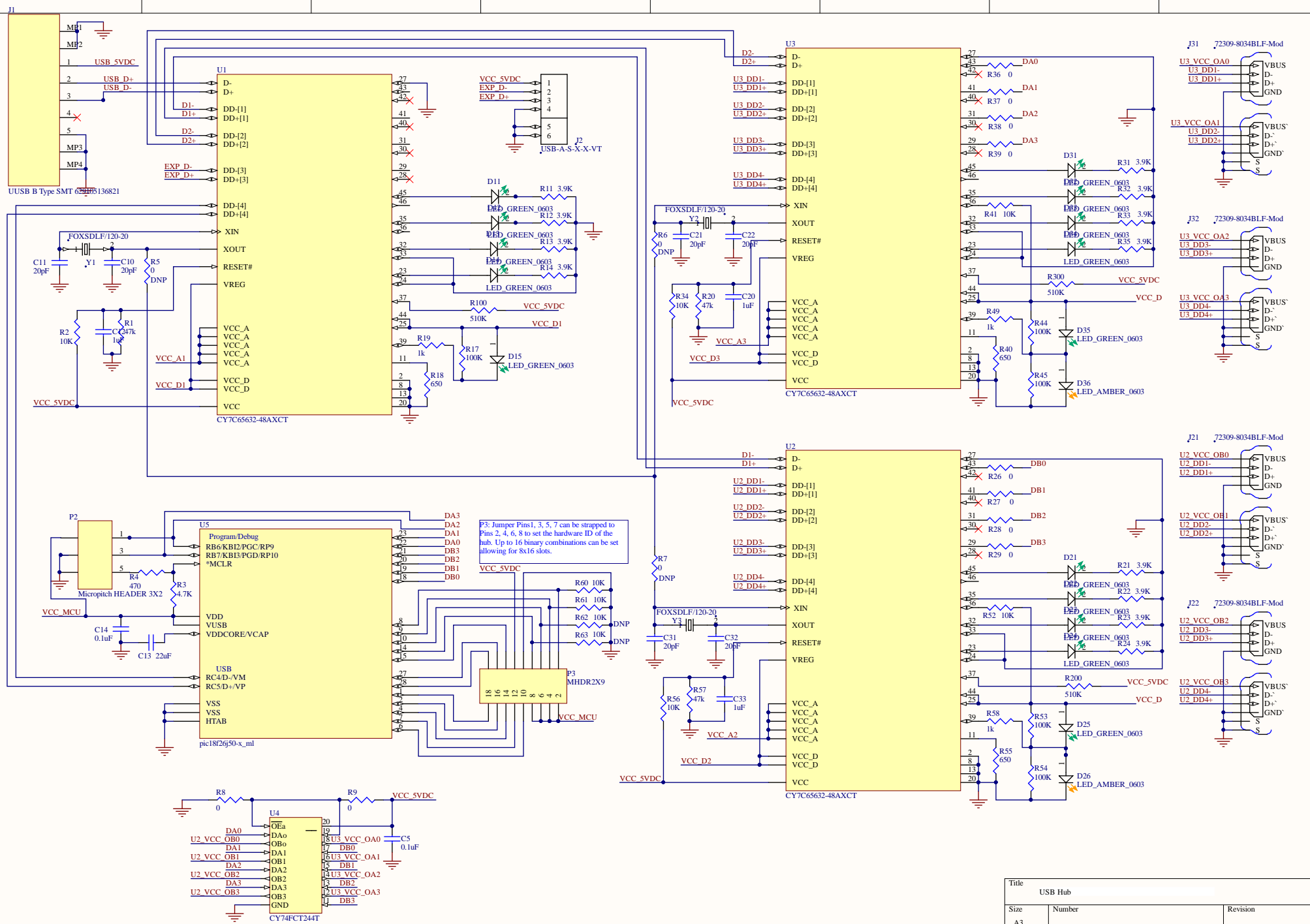


Title		
Size	Number	Revision
A3		
Date:	8/9/2018	Sheet of
File:	D:\R\Optical\PowerSupply\SchDoc	Drawn By:



Title			
USB Hub			
Size	Number	Revision	
A3			
Date:	8/9/2018	Sheet of	
File:	D:\RFoptical\USB_HUBS.SchDoc	Drawn By:	

80

47

