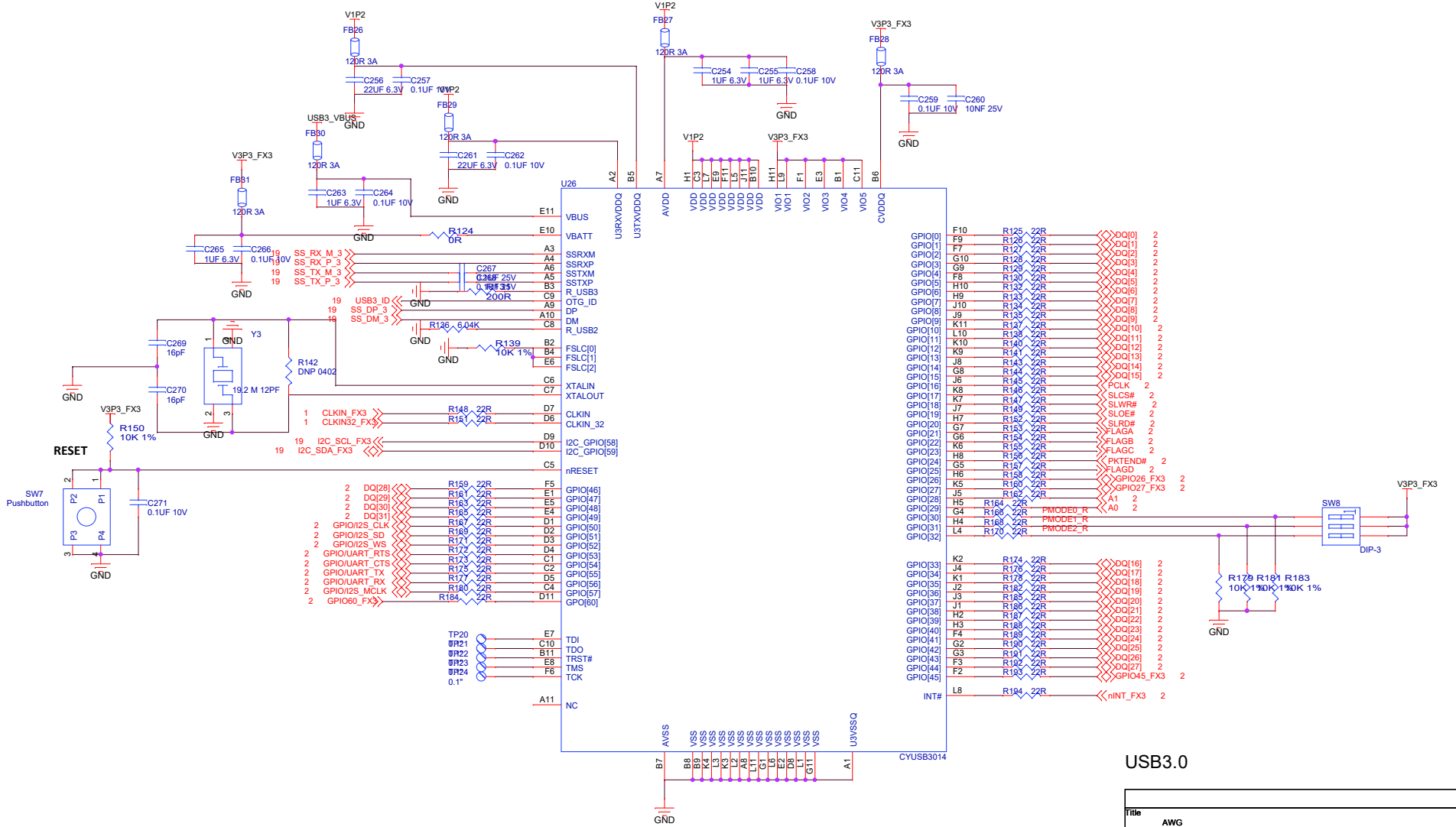
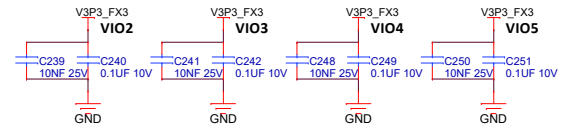
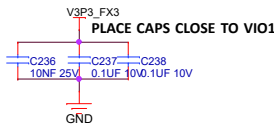
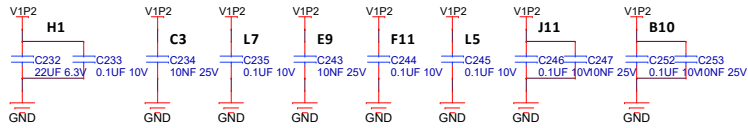


USB3.0 Front-End

Title		
AWG		
Size	Document Number	Rev
B	SCH001-2016	A
Date:	Thursday, August 23, 2018	Sheet 19 of 26

PLEASE CHECK WITH FIG 1 ON AN70707



USB3.0

Title		
AWG		
Size	Document Number	Rev
B	SCH001-2016	A
Date:	Thursday, August 23, 2018	Sheet 20 of 26