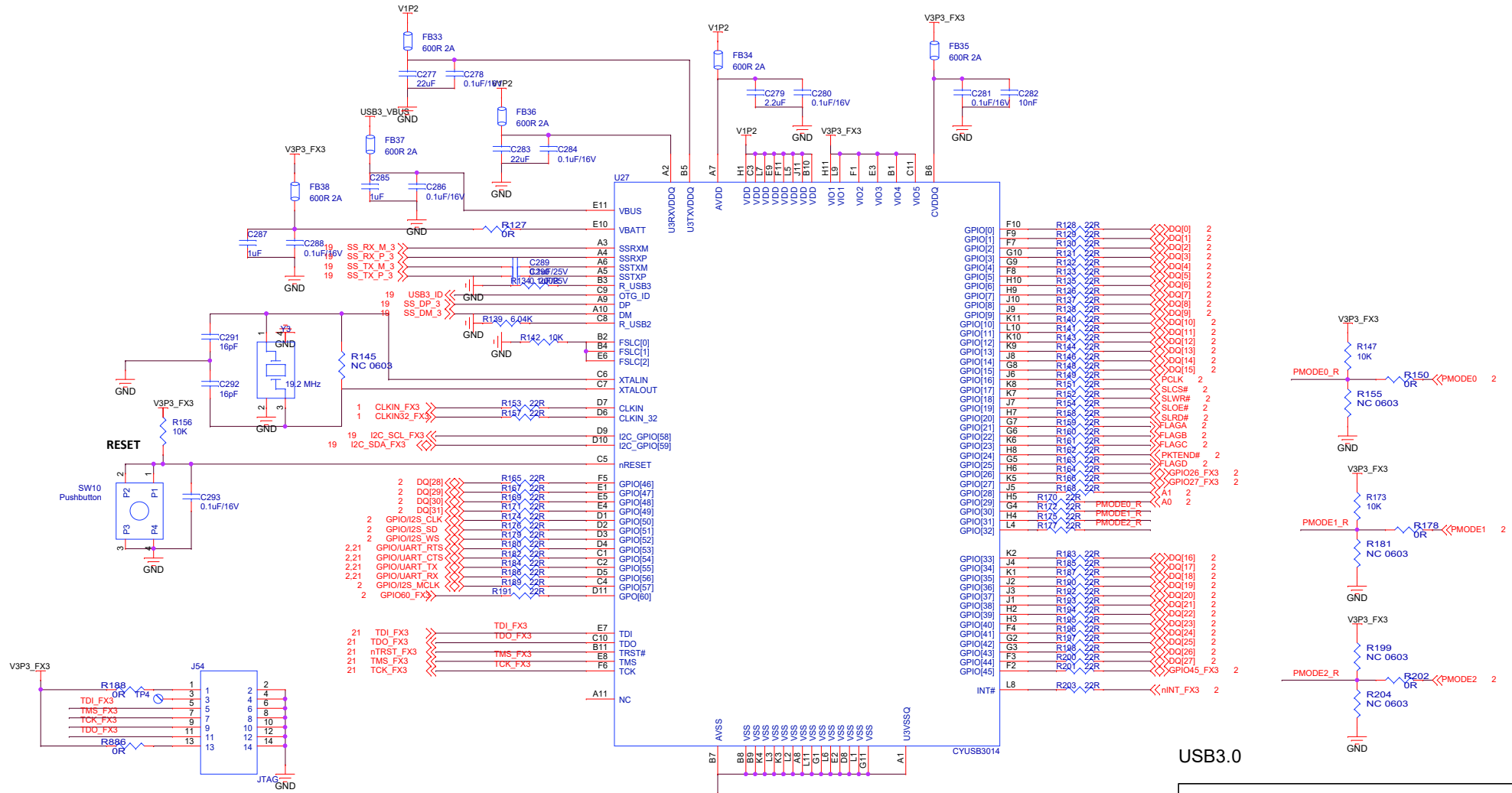
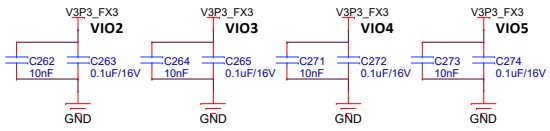
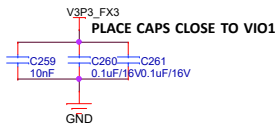
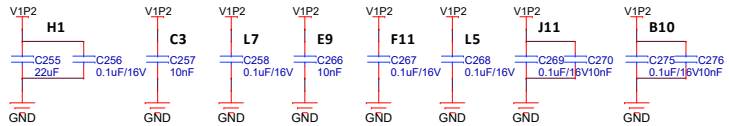


USB3.0 Front-End

Title		
AWG		
Size	Document Number	Rev
B	SCH001-2016	A
Date:	Tuesday, May 08, 2018	Sheet 19 of 30

PLEASE CHECK WITH FIG 1 ON AN70707



19	SS_RX_M_3	A3	SSRXM	F10	R128	22R	DQ[0]	2
19	SS_RX_P_3	A4	SSRXP	F9	R128	22R	DQ[1]	2
19	SS_TX_M_3	A5	SSTXM	G10	R121	22R	DQ[3]	2
19	SS_TX_P_3	B3	SSTXP	G9	R122	22R	DQ[4]	2
19	USBS_ID	C9	R_USBS	H10	R125	22R	DQ[5]	2
19	SS_DP_3	A10	OTG_ID	H9	R126	22R	DQ[7]	2
19	SS_DM_3	A10	DP	J10	R127	22R	DQ[8]	2
19		C8	DM	J9	R128	22R	DQ[10]	2
19		C8	R_USB2	K11	R140	22R	DQ[9]	2
19		B2	FSLC[0]	L10	R141	22R	DQ[10]	2
19		B4	FSLC[1]	K10	R143	22R	DQ[12]	2
19		B4	FSLC[2]	K9	R144	22R	DQ[13]	2
19		C6	XTALIN	J8	R148	22R	DQ[14]	2
19		C7	XTALOUT	J6	R149	22R	DQ[15]	2
19		D7	CLKIN	K8	R151	22R	ACK	2
19		D6	CLKIN_32	J7	R152	22R	SLCS#	2
19		D9	I2C_SCL_FX3	H7	R158	22R	SLWR#	2
19		D10	I2C_SDA_FX3	G7	R159	22R	SLRD#	2
19		C5	nRESET	G6	R160	22R	FLAGA	2
19		F5	GPIO[46]	K6	R161	22R	FLAGB	2
19		E5	GPIO[47]	H5	R170	22R	PKTEND#	2
19		E4	GPIO[48]	G4	R172	22R	FLAGD	2
19		D1	GPIO[49]	H4	R173	22R	GPIO26_FX3	2
19		D2	GPIO[50]	L4	R177	22R	GPIO27_FX3	2
19		D3	GPIO[51]	J5	R168	22R	A1	2
19		D4	GPIO[52]	H4	R175	22R	PMODE1_R	2
19		C1	GPIO[53]	L4	R177	22R	PMODE2_R	2
19		C2	GPIO[54]	J4	R183	22R		
19		D5	GPIO[55]	K1	R185	22R		
19		C6	GPIO[56]	J2	R187	22R		
19		C4	GPIO[57]	J1	R190	22R		
19		D11	GPO[60]	J3	R192	22R		
19		E7	TDI_FX3	H2	R194	22R		
19		C10	TDO_FX3	H3	R195	22R		
19		B11	TRST#	F4	R196	22R		
19		E8	TMS_FX3	G2	R197	22R		
19		F6	TCK_FX3	G3	R198	22R		
19		A11	NC	F3	R200	22R		
19				F2	R201	22R		

USB3.0

Title		
AWG		
Size	Document Number	Rev
B	SCH001-2016	A
Date:	Tuesday, May 08, 2018	Sheet 20 of 30