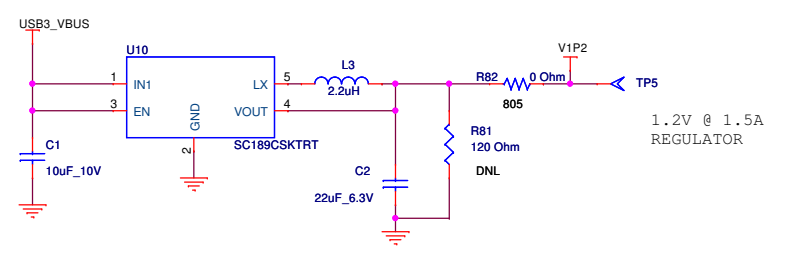
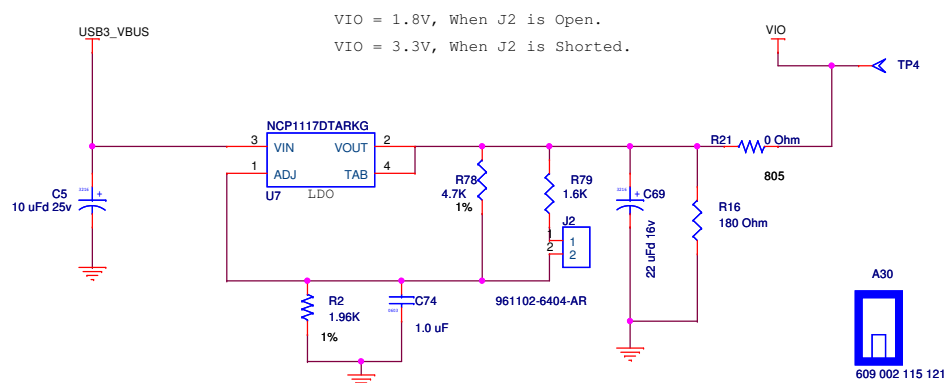
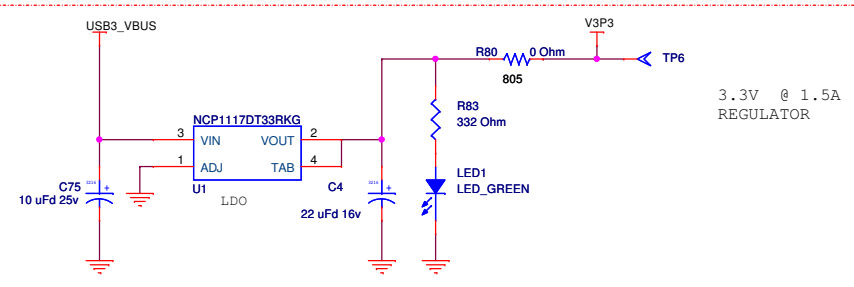
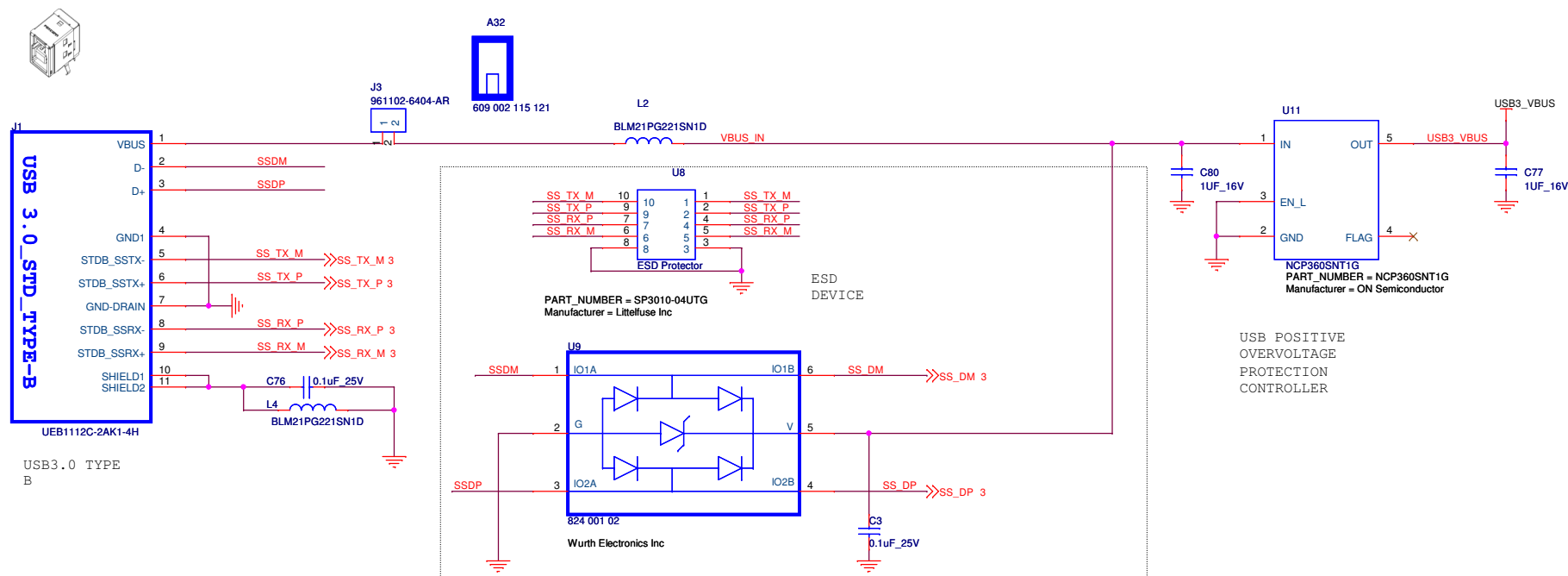


PAGE 01	INDEX PAGE
PAGE 02	POWER SUPPLY
PAGE 03	FX3 CLOCK & RESET
PAGE 04	FX3 POWER
PAGE 05	FX3 IO PORTS
PAGE 06	EEPROM & CONNECTORS
PAGE 07	SRAM
PAGE 08	UART & JTAG

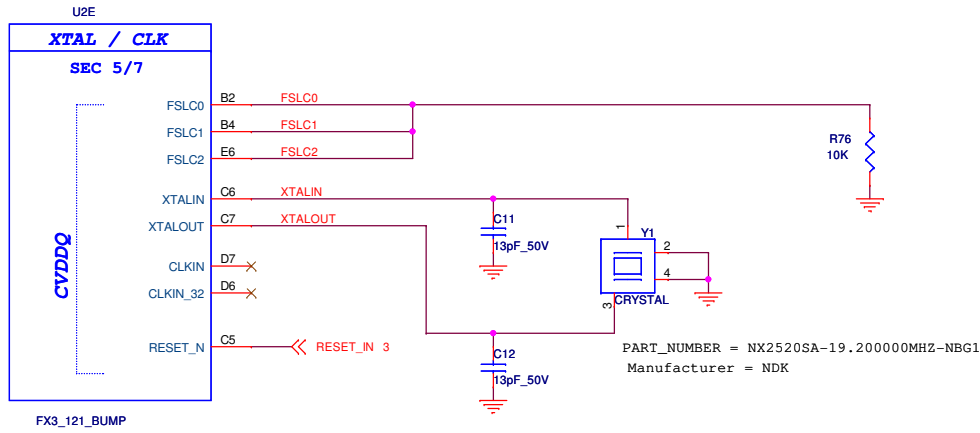
PCA: 121-60162-01  
 PCB: 600-60198-01  
 FAB DRW: 610-60190-01  
 ASSY DRW: 620-60198-01



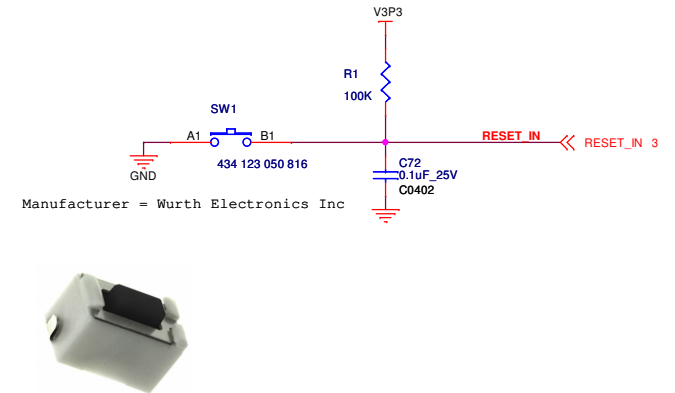
PCA: 121-60162-01  
PCB: 600-60198-01  
FAB DRW: 610-60190-01  
ASSY DRW: 620-60198-01

<b>CYPRESS SEMICONDUCTOR © 2014</b>		
Title	CYUSB3KIT-003 <b>SUPER SPEED EXPLORER KIT:- POWER SUPPLY</b>	
Size A	Document Number <b>630-60194-01</b>	Rev <b>04</b>
Date:	Friday, June 27, 2014	Sheet 2 of 8

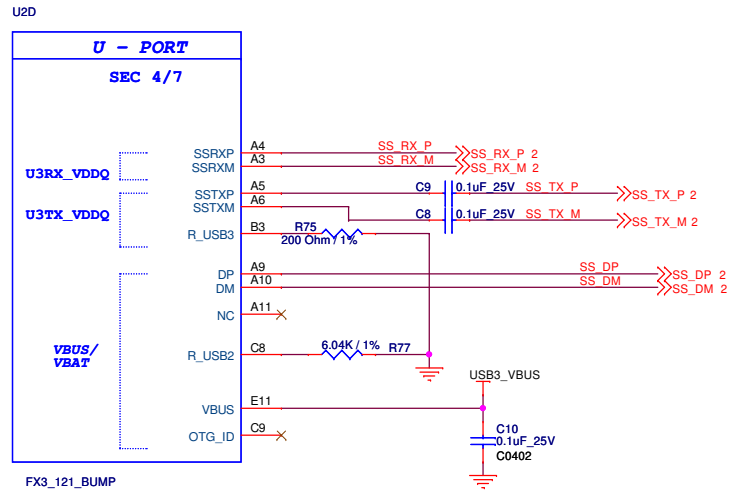
CLOCK SIGNALS



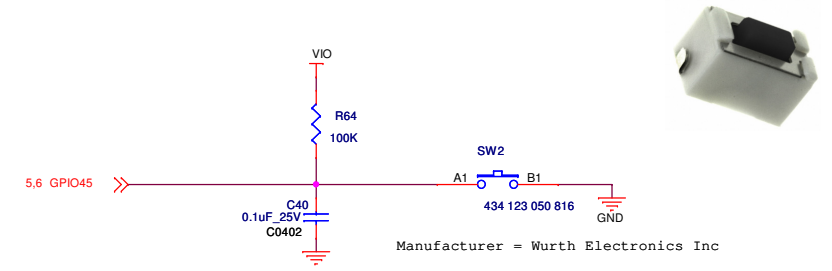
RESET\_CIRCUIT



FX3 USB3.0



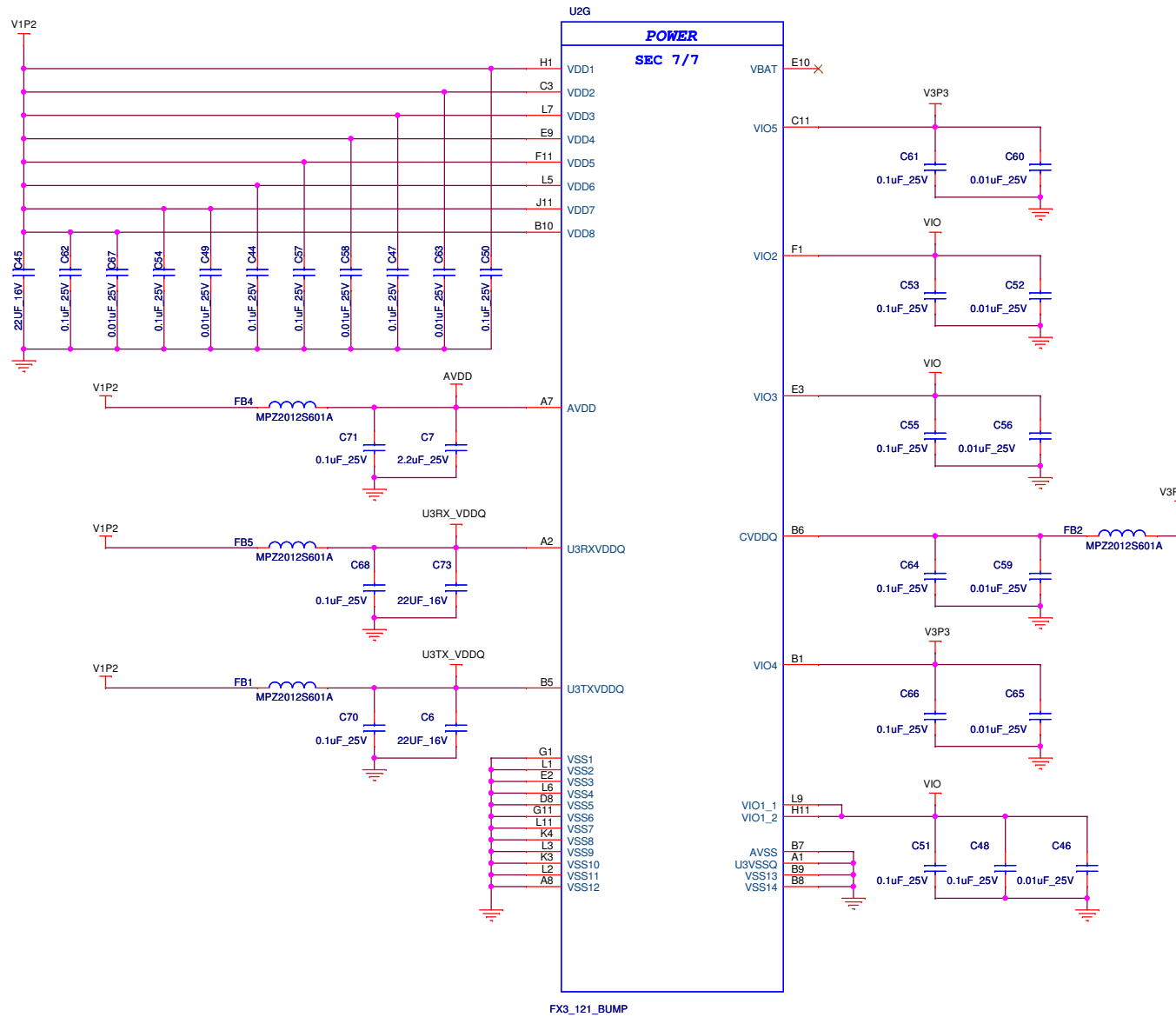
TACTILE SWITCH



PCA: 121-60162-01  
PCB: 600-60198-01  
FAB DRW: 610-60190-01  
ASSY DRW: 620-60198-01

<b>CYPRESS SEMICONDUCTOR © 2014</b>		
Title CYSB3KIT-003 <b>SUPERSPEED EXPLORER KIT:- FX3 CLOCK &amp; RESET</b>		
Size A	Document Number <b>630-60194-01</b>	Rev <b>04</b>
Date: Friday, June 27, 2014	Sheet 3	of 8

FX3 POWER & DECOUPLING



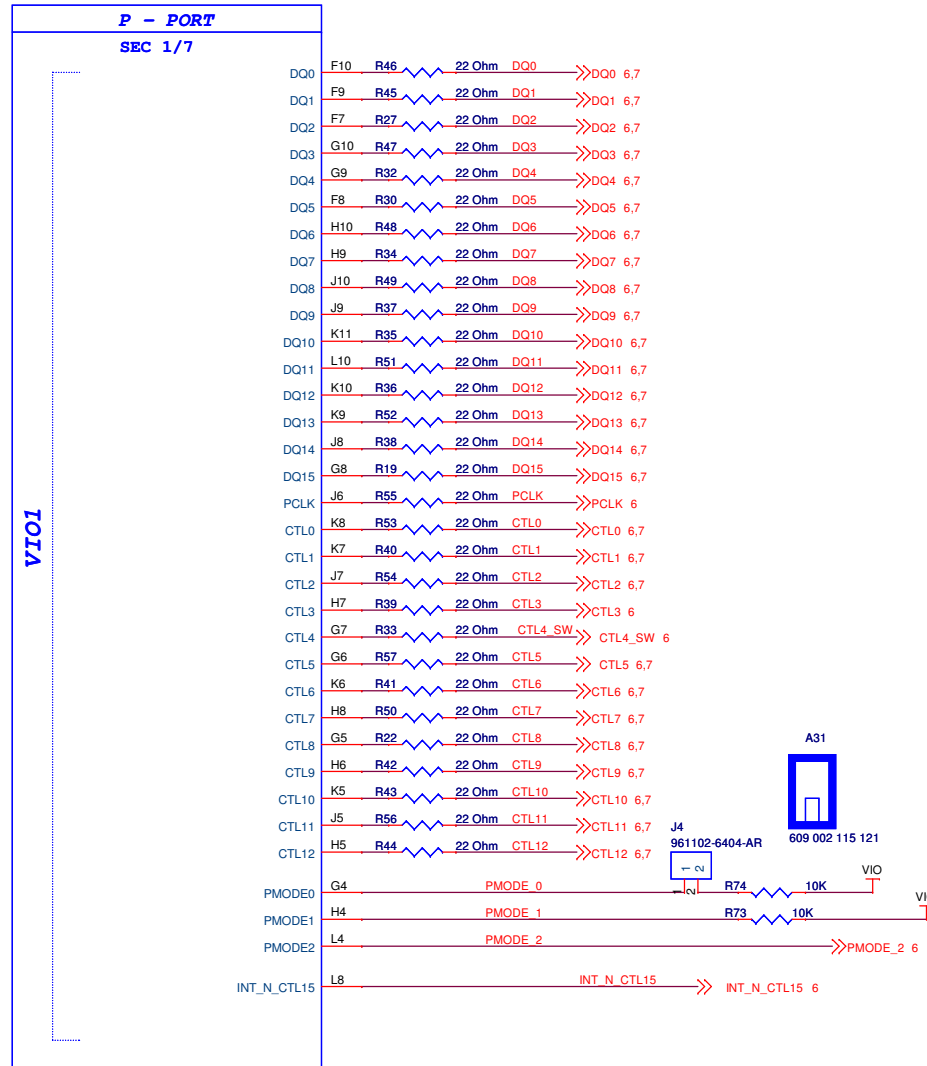
PCA: 121-60162-01  
 PCB: 600-60198-01  
 FAB DRW: 610-60190-01  
 ASSY DRW: 620-60198-01

<b>CYPRESS SEMICONDUCTOR © 2014</b>		
Title: CYP983KIT-003		
<b>SUPERSEED EXPLORER KIT:- FX3 POWER</b>		
Size A	Document Number <b>630-60194-01</b>	Rev <b>04</b>
Date:	Friday, June 27, 2014	Sheet 4 of 8

IO PORT 1

IO PORT 2

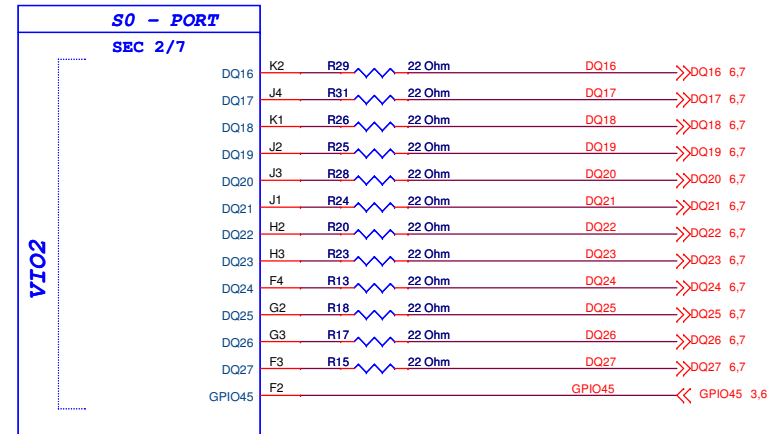
U2A



FX3\_121\_BUMP

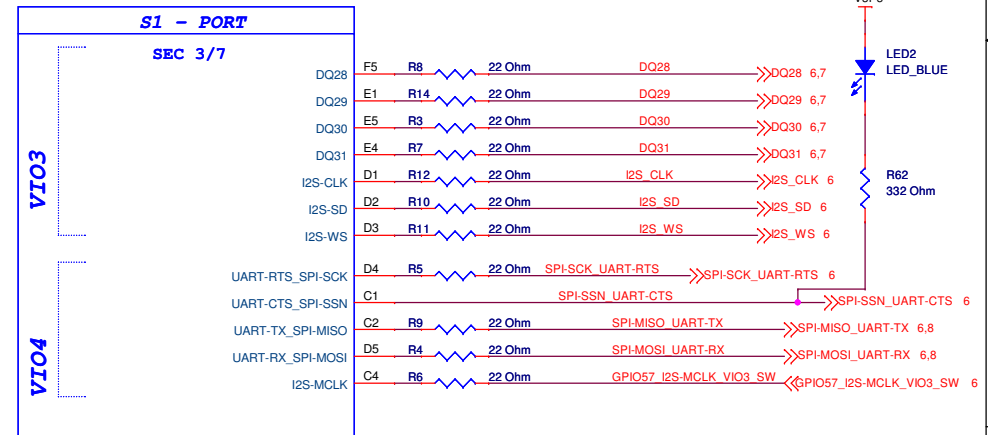
PMODE\_0 >>>PMODE\_0 6  
 PMODE\_1 >>>PMODE\_1 6

U2B



FX3\_121\_BUMP

U2C



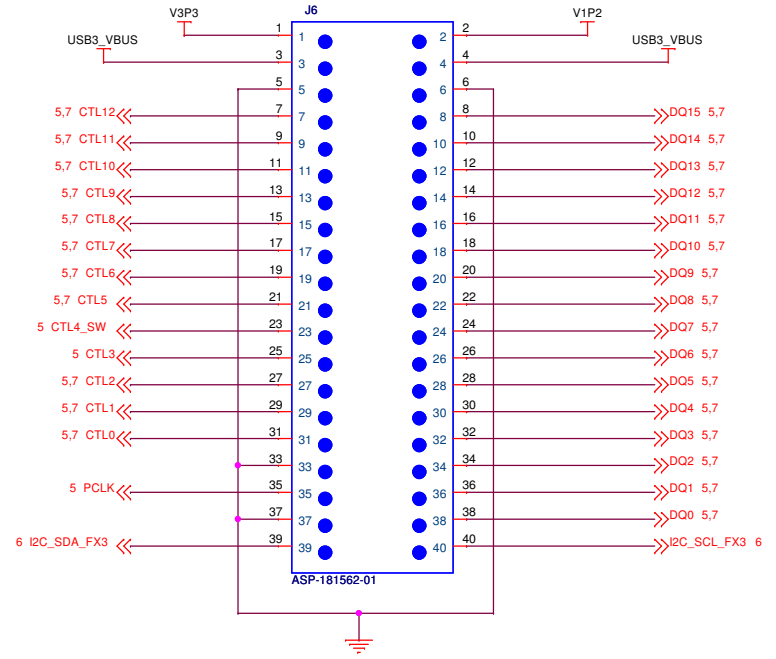
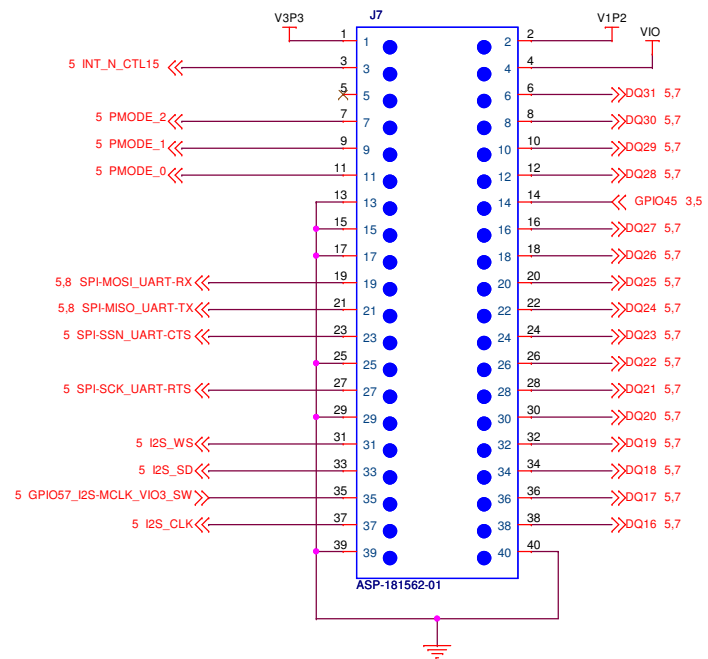
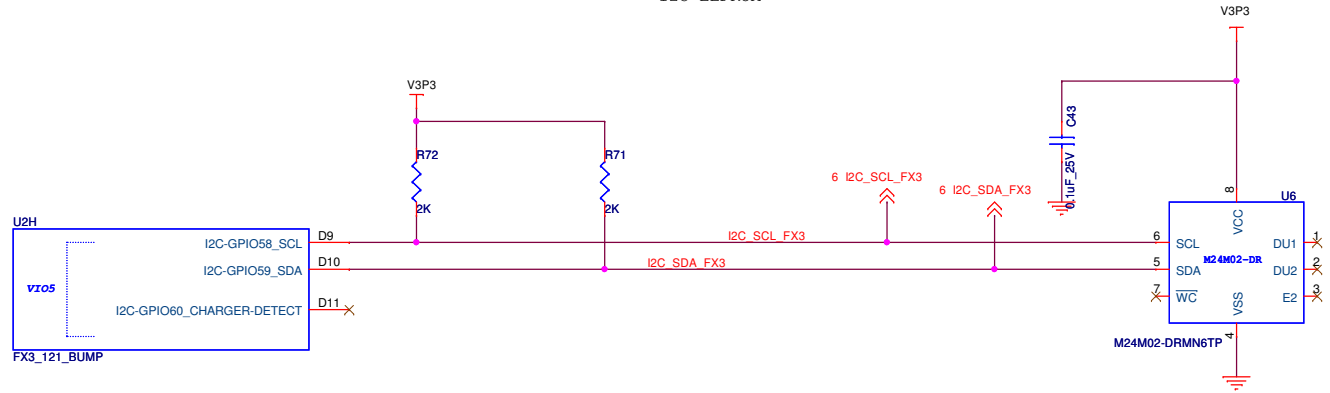
FX3\_121\_BUMP

IO PORT 3

PCA: 121-60162-01  
 PCB: 600-60198-01  
 FAB DRW: 610-60190-01  
 ASSY DRW: 620-60198-01

<b>CYPRESS SEMICONDUCTOR © 2014</b>		
Title: CYUSB3KIT-003		
<b>SUPERSPEED EXPLORER KIT- FX3 IO PORTS</b>		
Size A	Document Number <b>630-60194-01</b>	Rev <b>04</b>
Date:	Friday, June 27, 2014	Sheet 5 of 8

I2C EEPROM

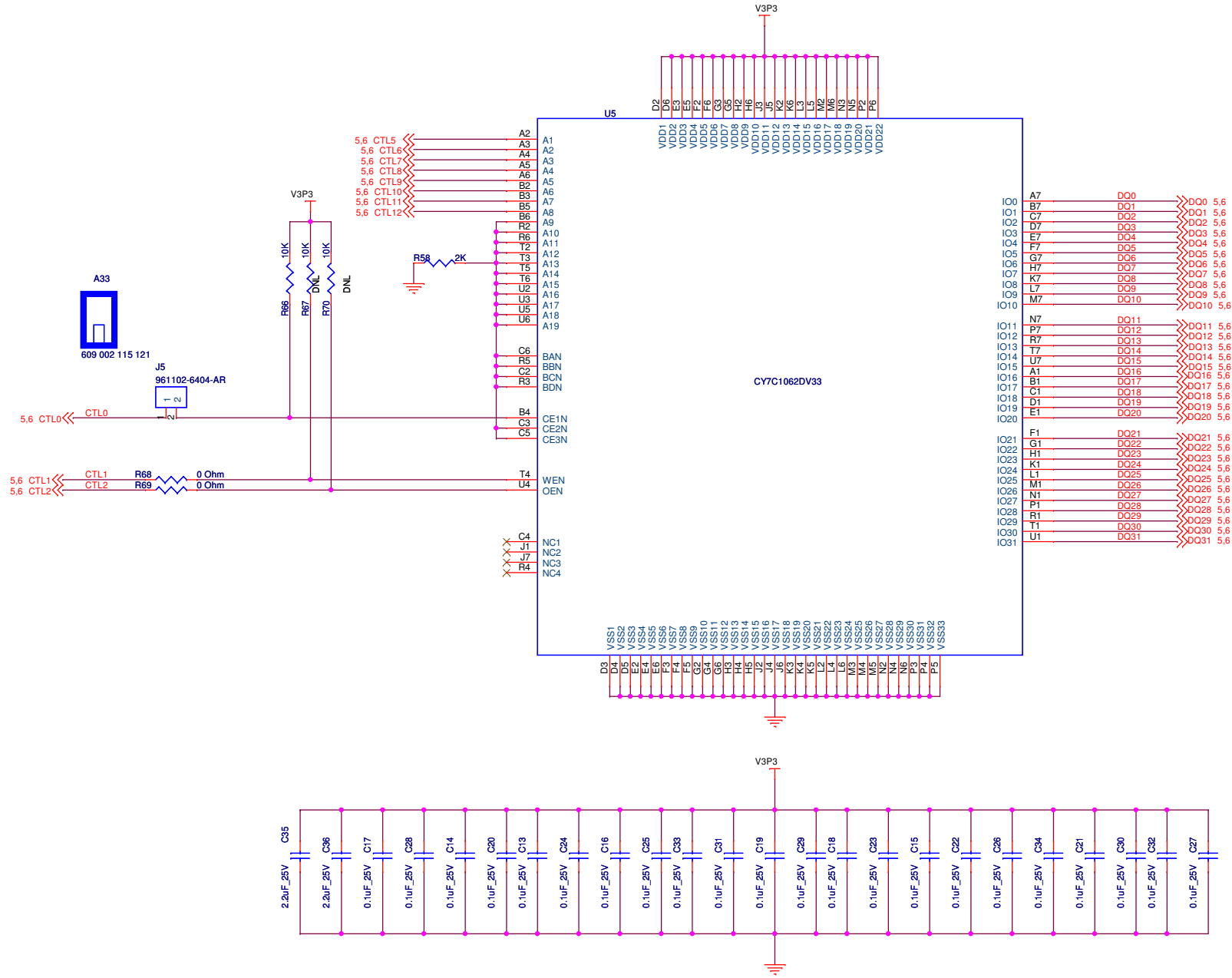


RECTANGULAR HEADERS FOR EXPANSION

PCA: 121-60162-01  
 PCB: 600-60198-01  
 FAB DRW: 610-60190-01  
 ASSY DRW: 620-60198-01

<b>CYPRESS SEMICONDUCTOR © 2014</b>		
Title: CYSB3KIT-003 <b>SUPERSPEED EXPLORER KIT:- EEPROM &amp; CONNECTORS</b>		
Size: A	Document Number: <b>630-60194-01</b>	Rev: <b>04</b>
Date: Friday, June 27, 2014	Sheet: 6	of 8

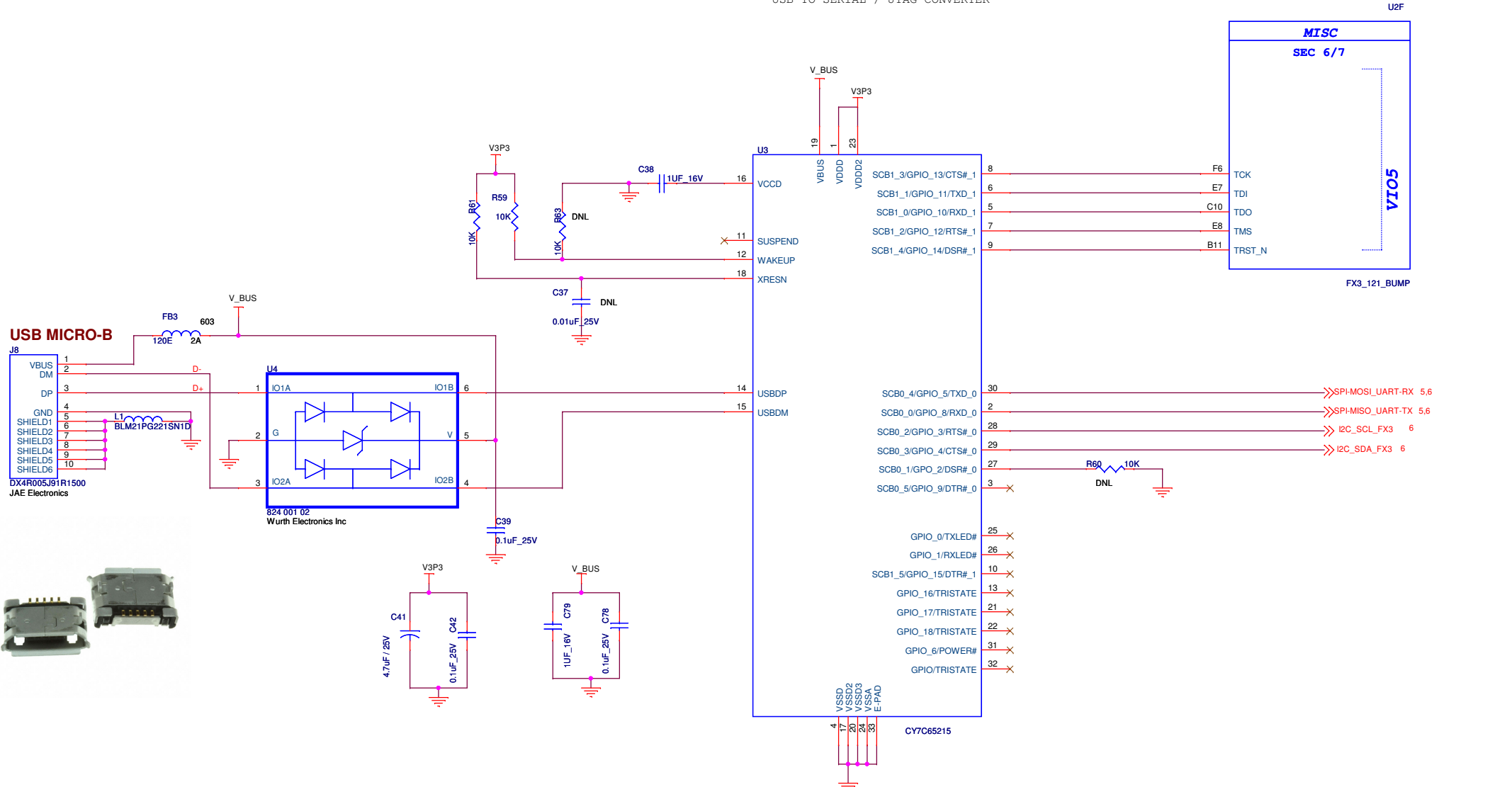
SRAM INTERFACE



PCA: 121-60162-01  
 PCB: 600-60198-01  
 FAB DRW: 610-60190-01  
 ASSY DRW: 620-60198-01

<b>CYPRESS SEMICONDUCTOR © 2014</b>		
Title: CY7C1062DV33-003		
<b>SUPERSEED EXPLORER KIT- SRAM</b>		
Size: A	Document Number: <b>630-60194-01</b>	Rev: <b>04</b>
Date: Friday, June 27, 2014	Sheet: 7	of 8

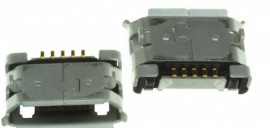
USB TO SERIAL / JTAG CONVERTER



USB MICRO-B

1	VBUS
2	DM
3	DP
4	GND
5	SHIELD1
6	SHIELD2
7	SHIELD3
8	SHIELD4
9	SHIELD5
10	SHIELD6

DX4R005J91R1500  
JAE Electronics



PCA: 121-60162-01  
PCB: 600-60198-01  
FAB DRW: 610-60190-01  
ASSY DRW: 620-60198-01

<b>CYPRESS SEMICONDUCTOR © 2014</b>		
Title: CYSB3KIT-003		
<b>SUPER SPEED EXPLORER KIT:- UART &amp; JTAG</b>		
Size A	Document Number	Rev
	<b>630-60194-01</b>	<b>04</b>
Date:	Friday, June 27, 2014	Sheet 8 of 8