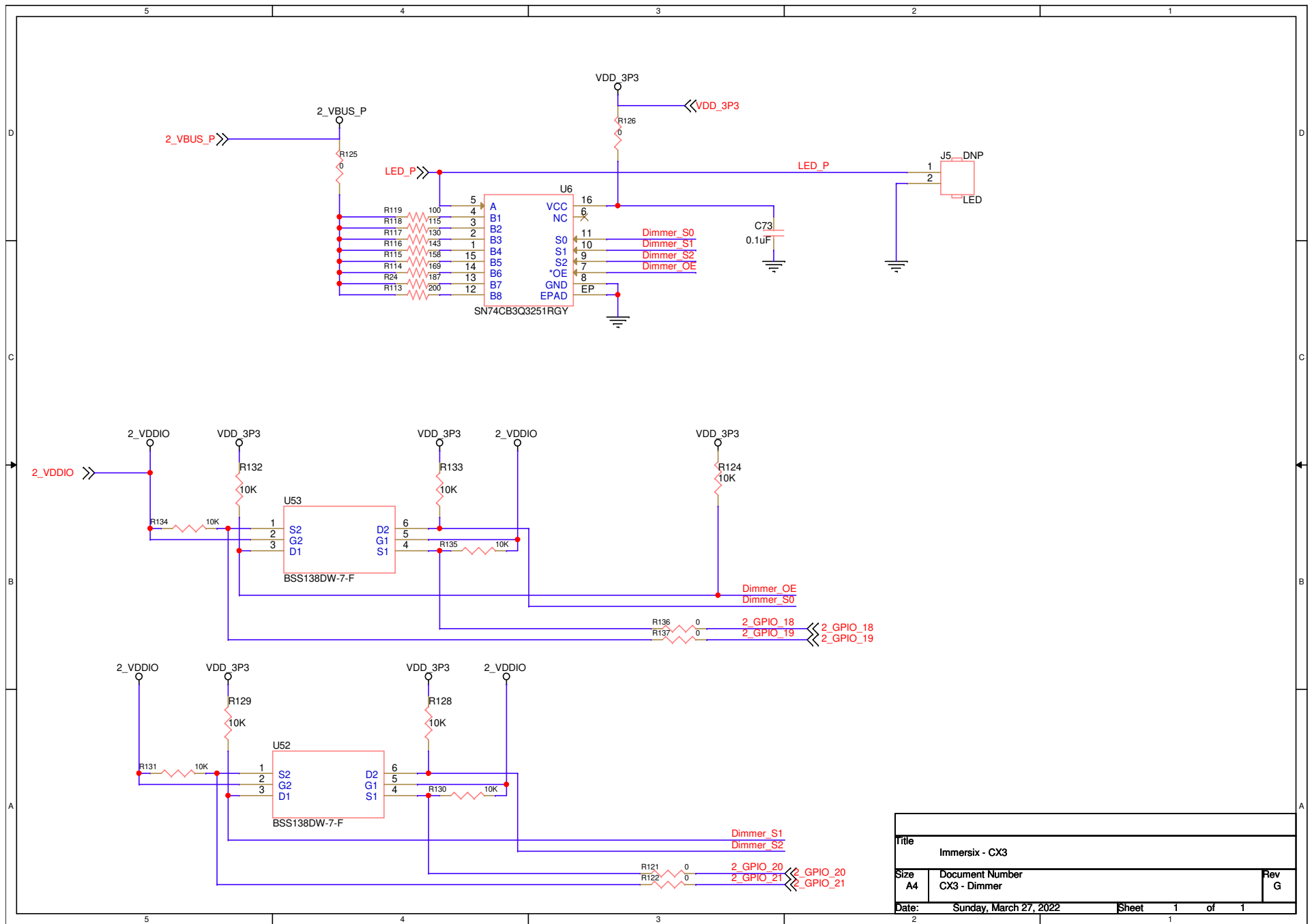


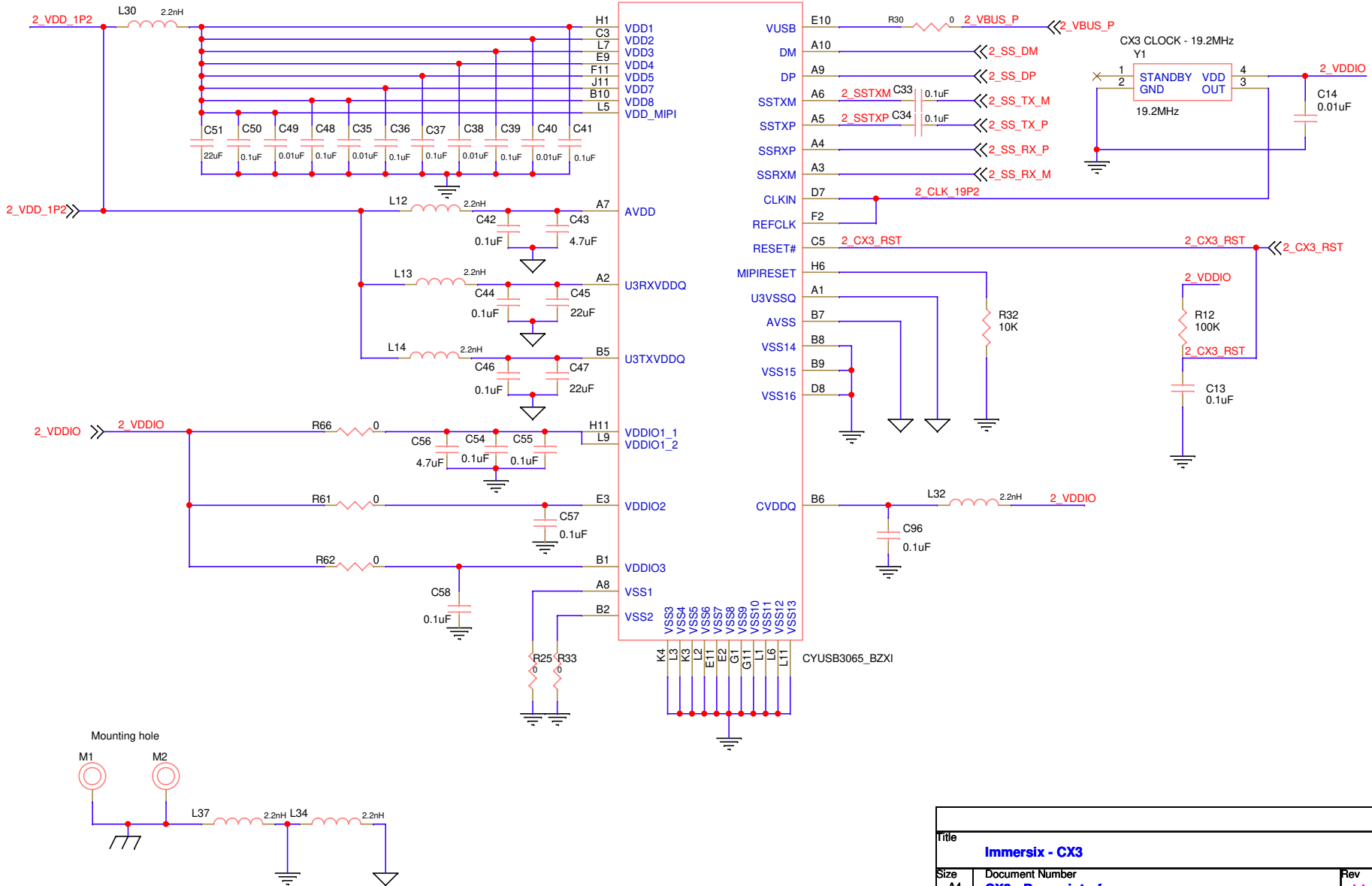
Title		
Immersix - CX3		
Size	Document Number	Rev
A4	CX3 - USB Connector and power supply	G
Date:	Sunday, March 27, 2022	Sheet 1 of 3



Title		
Immersix - CX3		
Size	Document Number	Rev
A4	CX3 - Dimmer	G
Date:	Sunday, March 27, 2022	Sheet 1 of 1

### CX3 POWER SUPPLY INTERFACE

U46A



Title		
Immersix - CX3		
Size	Document Number	Rev
A4	CX3 - Power interface	G
Date:	Sunday, March 27, 2022	Sheet 2 of 3

BOOT MODE	PMODE 1	PMODE 2
USB	1	float
SPI	Fbat	0

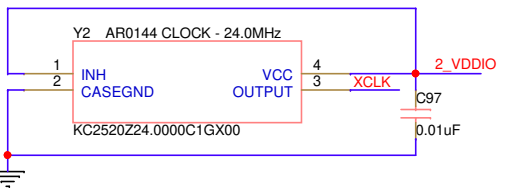
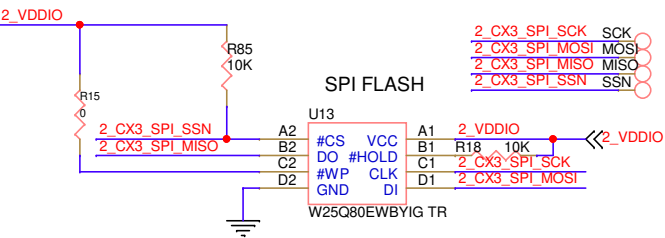
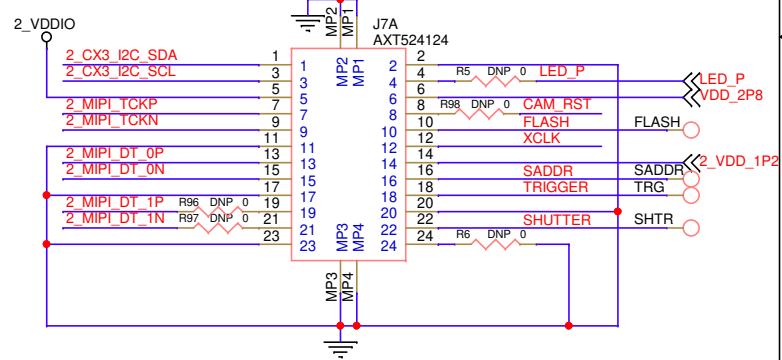
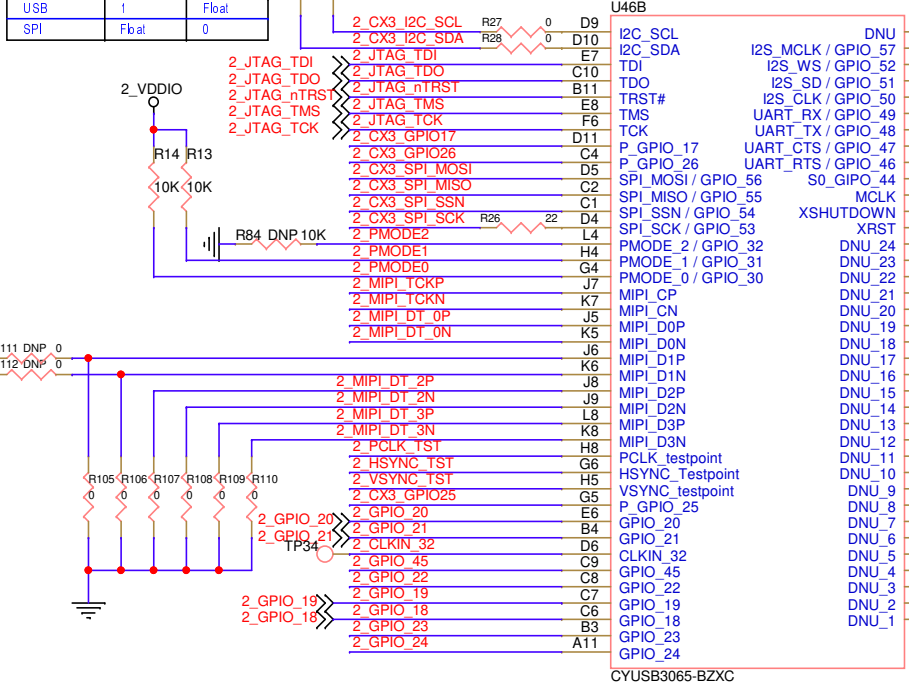
### DEBUG CONNECTOR

J9		J9	
2_JTAG_TDO	8	7	2_JTAG_TDI
2_JTAG_TCK	6	5	2_JTAG_nTRST
2_JTAG_TMS	4	3	2_JTAG_TMS
2_UART_RX_GPIO_49	2	1	2_UART_TX_GPIO_48

20021321-00008T4LF

### GPIO PADS

2_GPIO_18	GP18	2_CX3_GPIO17	GP17
2_GPIO_19	GP19	2_CX3_GPIO25	GP25
2_GPIO_20	GP20	2_CX3_GPIO26	GP26
2_GPIO_21	GP21	2_CX3_GPIO44	GP44
2_GPIO_22	GP22	2_CX3_GPIO46	GP46
2_GPIO_23	GP23	2_CX3_GPIO47	GP47
2_GPIO_24	GP24	2_CX3_GPIO50	GP50
2_GPIO_45	GP45	2_CX3_GPIO51	GP51
		2_CX3_GPIO52	GP52
		2_CX3_GPIO57	GP57



Title		
Immersix - CX3		
Size	Document Number	Rev
A4	CX3 - signals	G
Date:	Sunday, March 27, 2022	Sheet 3 of 3