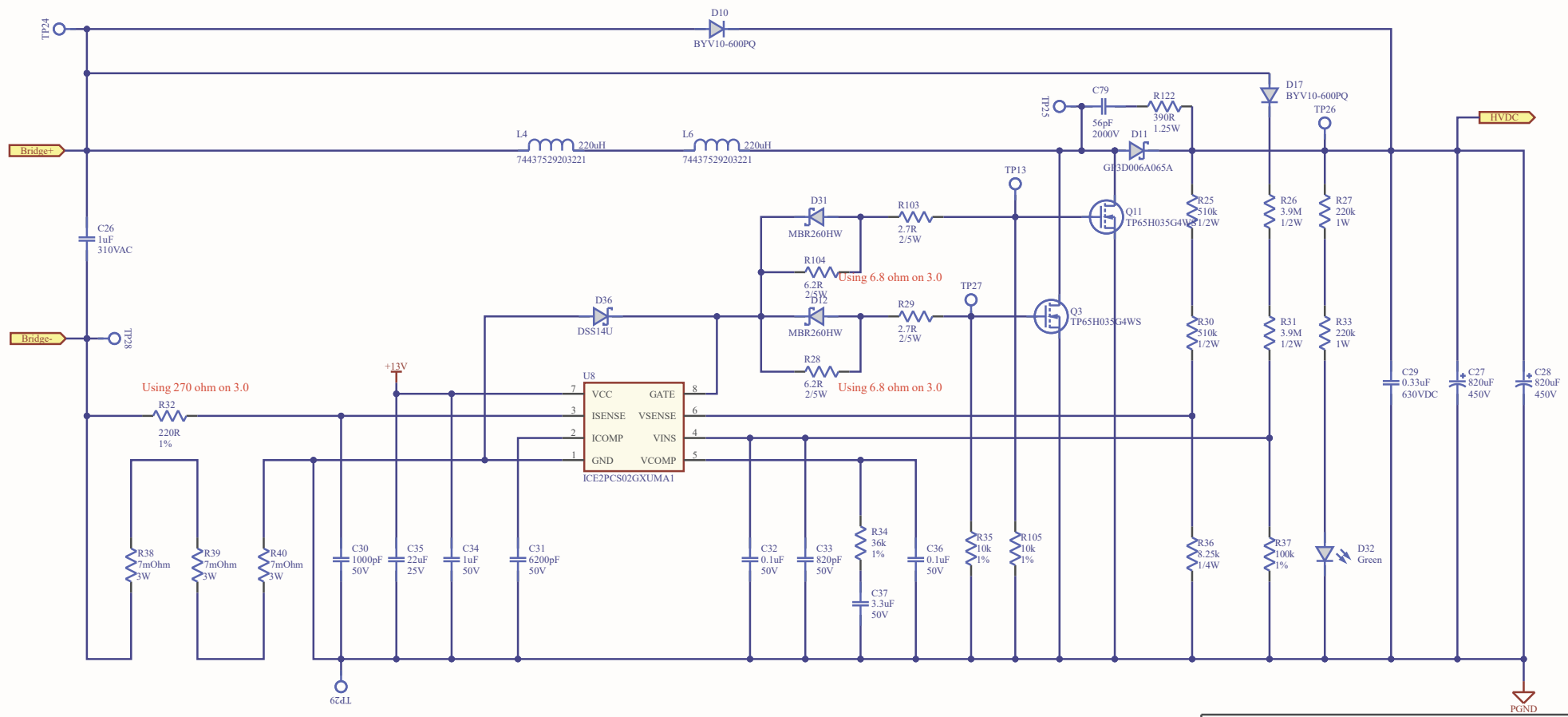


REV.	DESCRIPTION	DATE	CHG. BY	CHANGE NUMBER
------	-------------	------	---------	---------------



**FREAL** 2100 Powell Dr, Suite 700  
Emeryville, CA

DRAWING TITLE  
**MONARCH HVCB**

DRAWN BY: Arun Kumar	DATE: 5/3/2023	SIZE: B	DWG NO: AS-1043	REV: 3
APPROVALS: See Electronic Record				
EFFECTIVE DATE: See Stamp				
COMMENTS: TBD				

CAD FILE: NA SHEET 2 OF 7