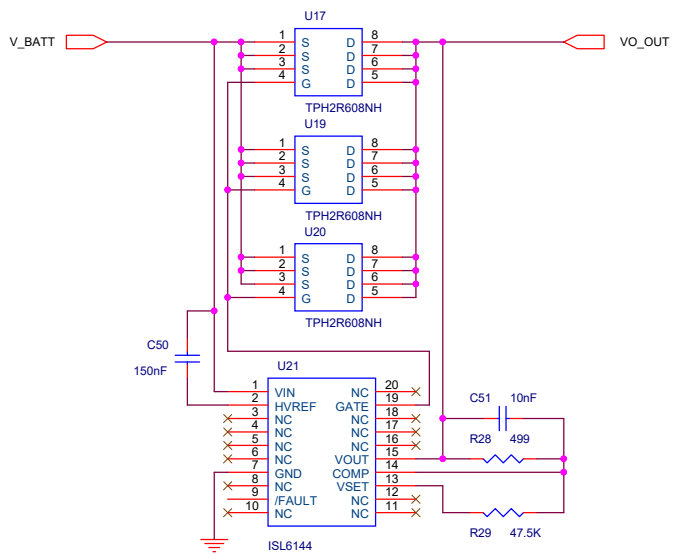
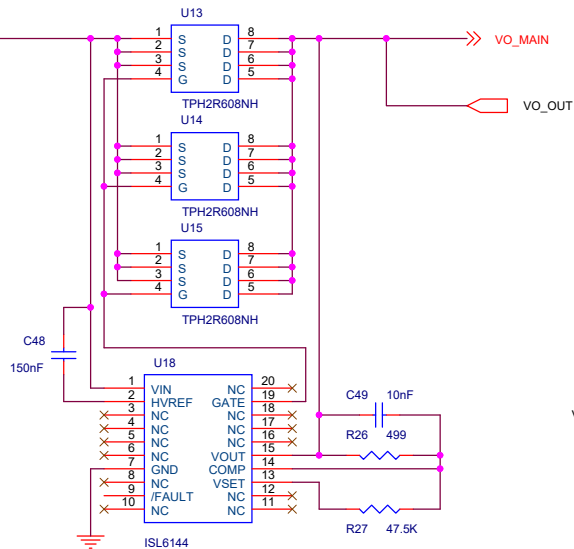
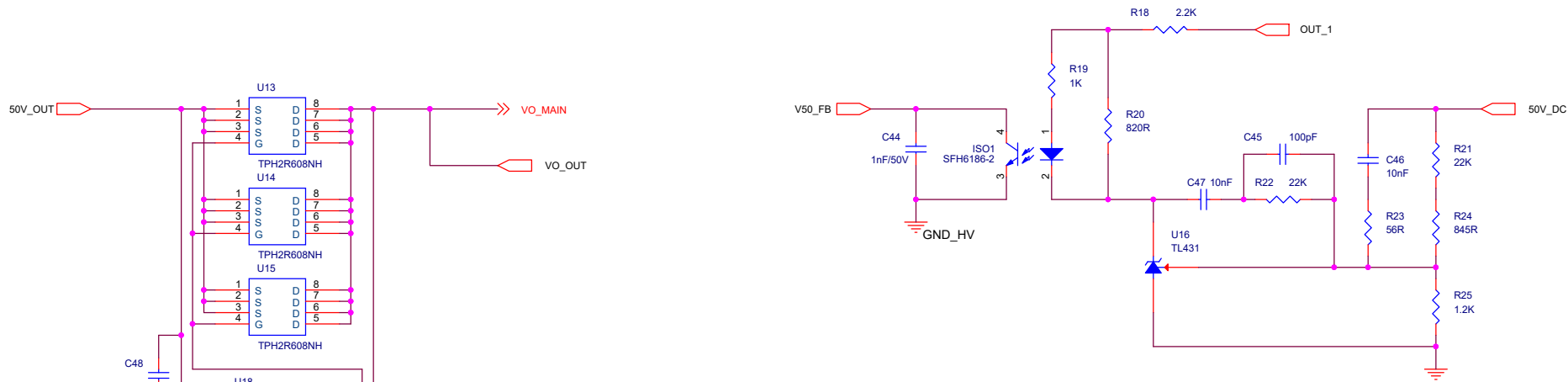
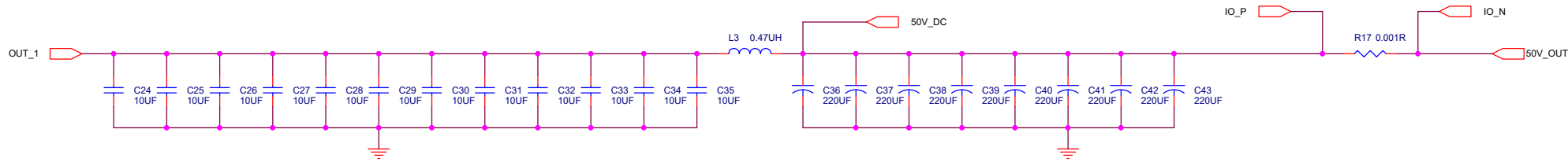
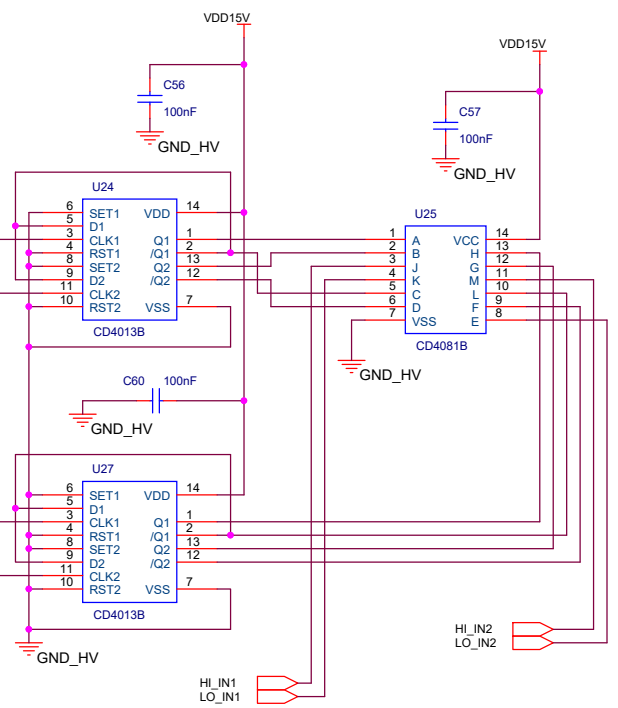
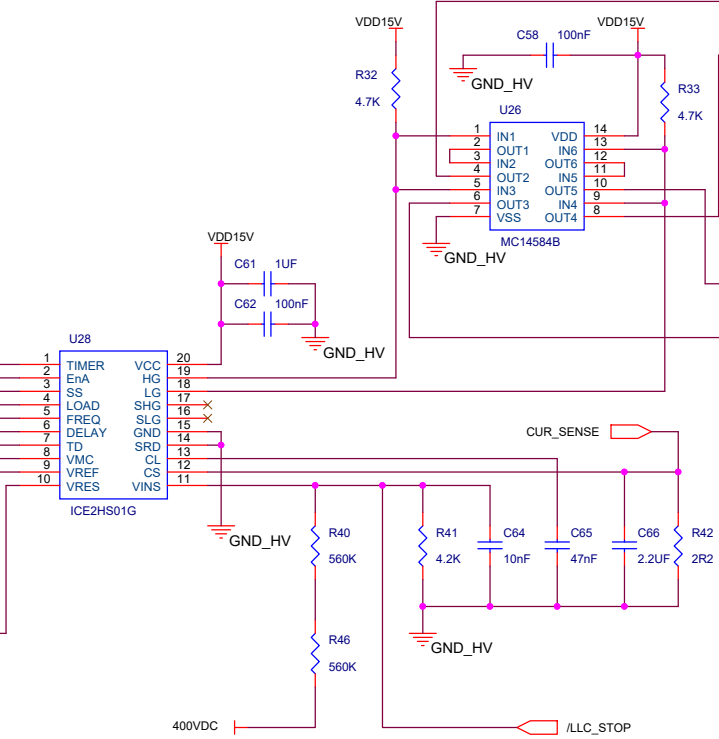
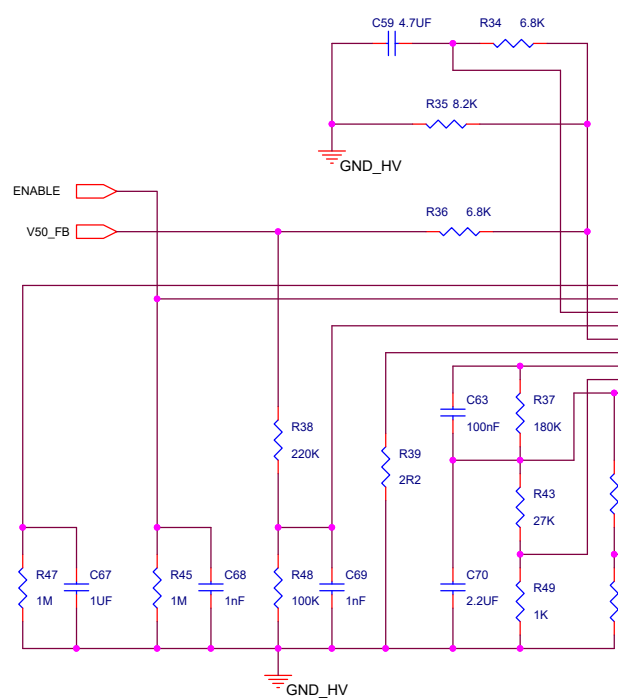
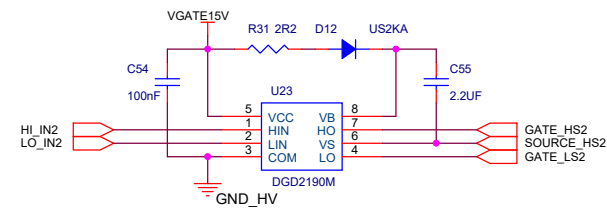
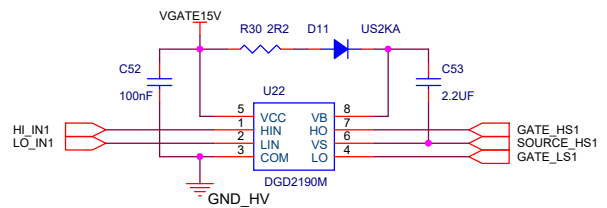


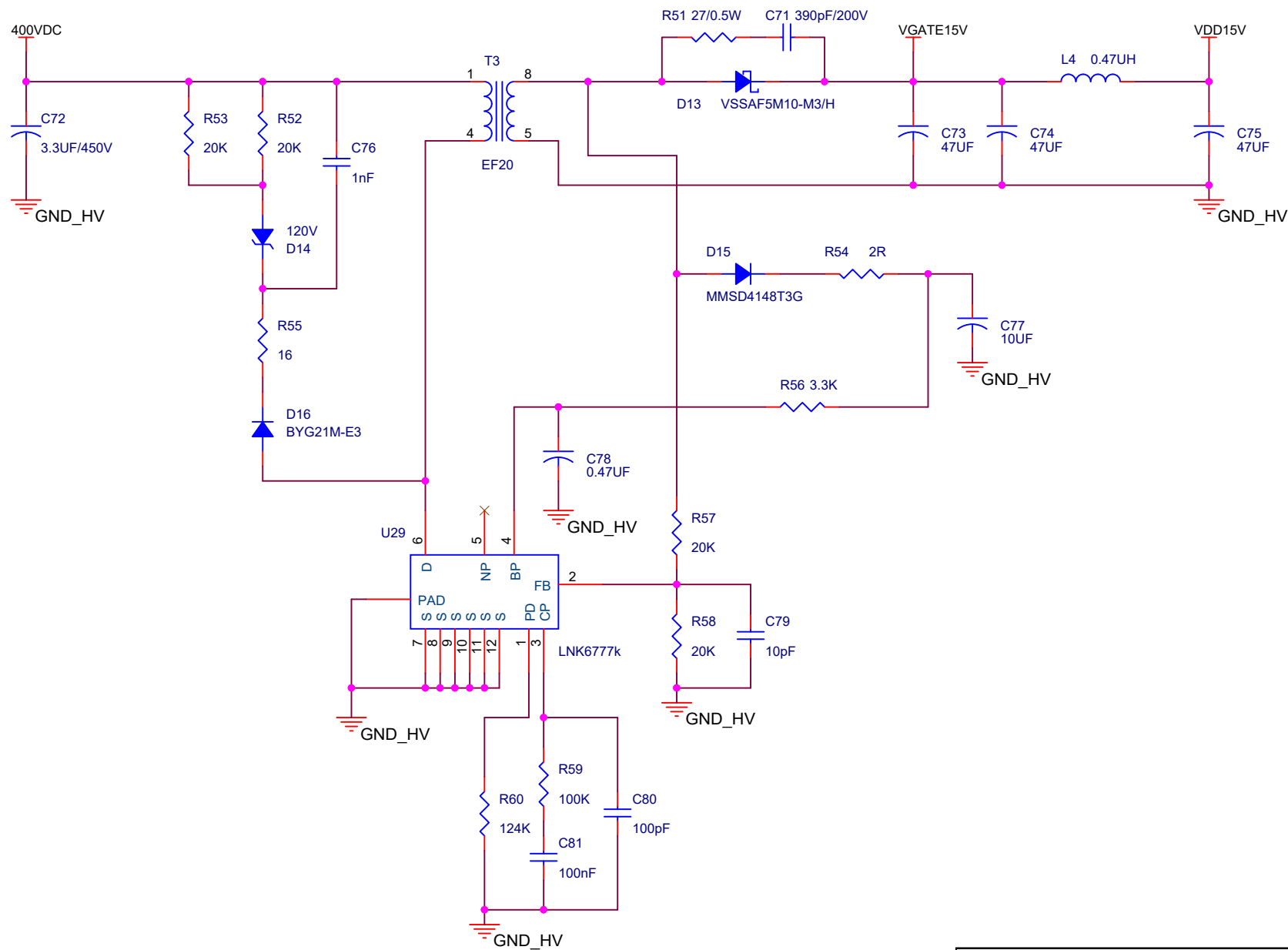
Title		
LLC RESONANT CONVERTER POWER STAGE		
Size	Document Number	Rev
A3	TPL-DS-PS1-1	0.0
Date:	Monday, July 11, 2022	Sheet 1 of 7



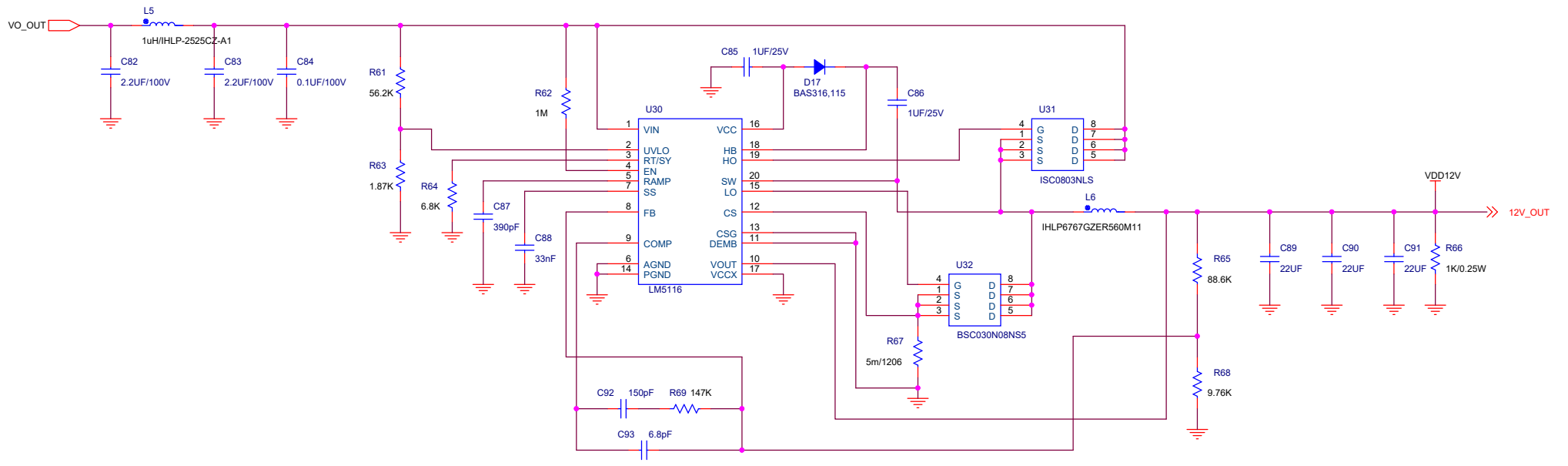
Title		
VOLTAGE FEEDBACK AND ORING		
Size	Document Number	Rev
A3	TPL-DS-PS1-2	0.0
Date:	Monday, July 11, 2022	Sheet 2 of 7



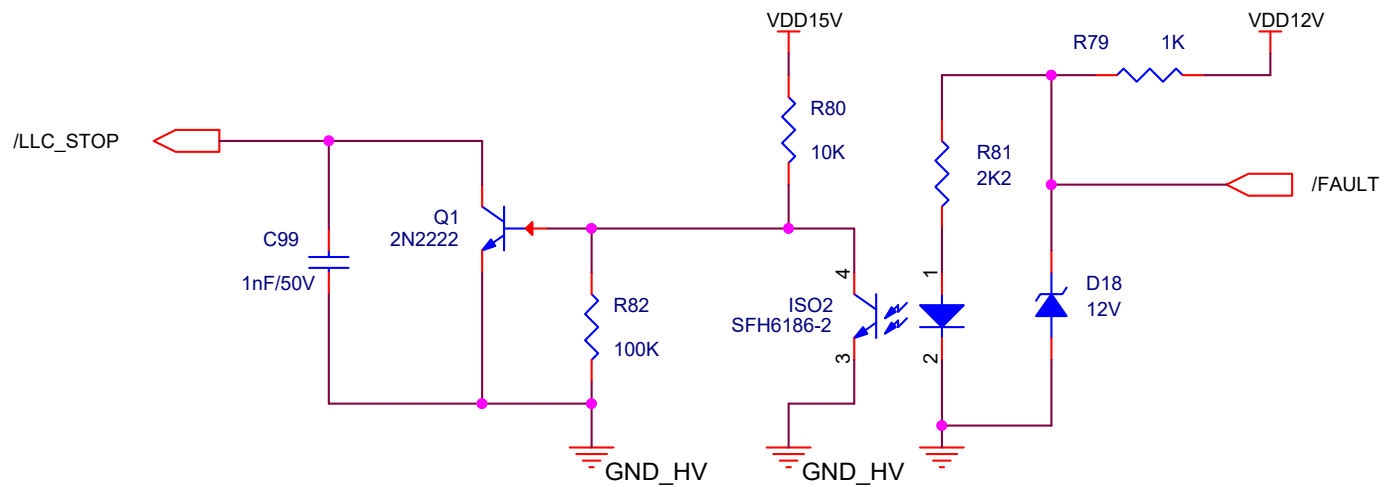
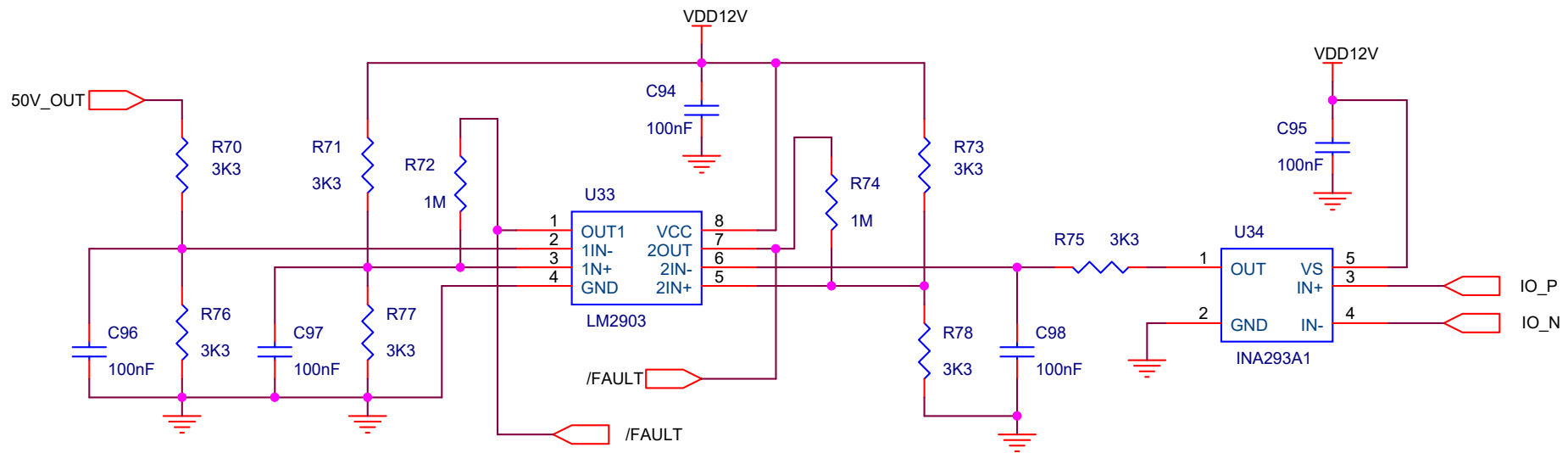
Title		
LLC RESONANT CONTROLLER		
Size	Document Number	Rev
A3	TPL-DS-PS1-3	0.0
Date:	Monday, July 11, 2022	Sheet 3 of 7



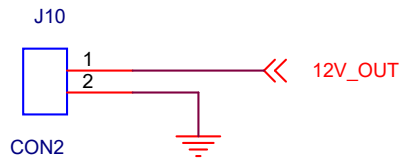
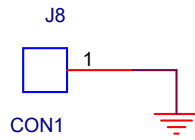
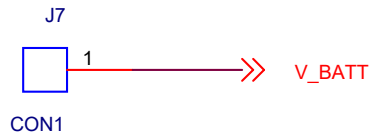
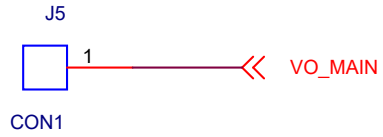
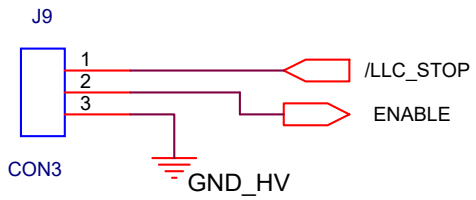
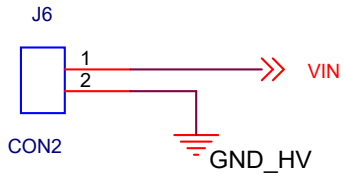
Title		
FLYBACK CONVERTER		
Size	Document Number	Rev
A4	TPL-DS-PS1-4	0.0
Date:	Monday, July 11, 2022	Sheet 4 of 7



Title		
CONTROL POWER SUPPLY		
Size	Document Number	Rev
A3	TPL-DS-PS1-5	0.0
Date:	Tuesday, July 12, 2022	Sheet 5 of 7



Title		
OCP AND OVP CIRCUIT		
Size	Document Number	Rev
A	TPL-DS-PS1-6	0.0
Date:	Monday, July 11, 2022	Sheet 6 of 7



Title		
CONNECTORS		
Size	Document Number	Rev
A	TPL-DS-PS1-7	0.0
Date:	Monday, July 11, 2022	Sheet 7 of 7