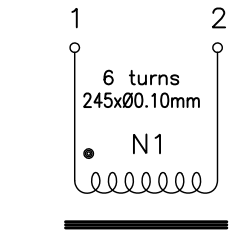
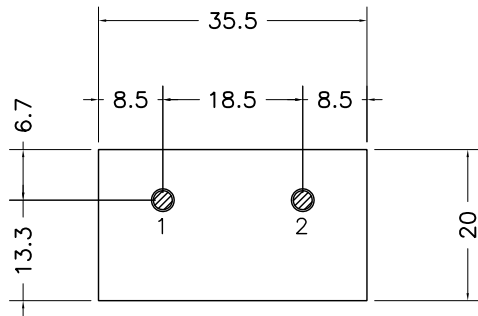
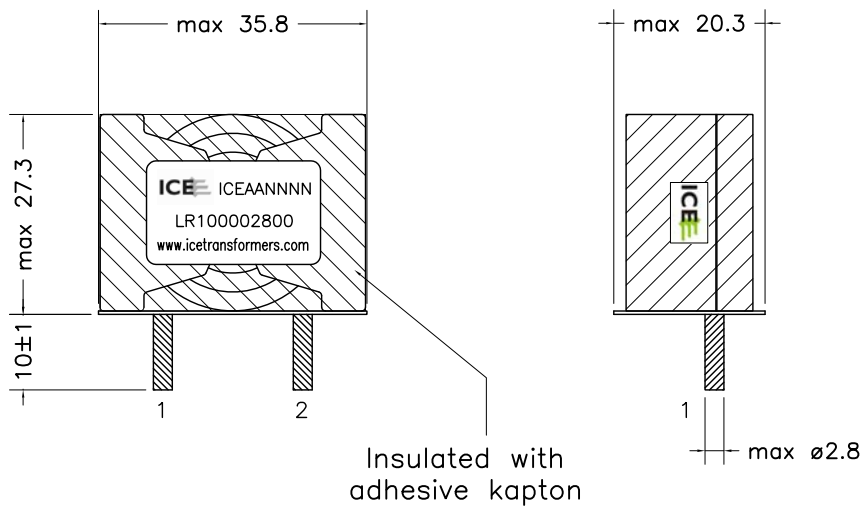
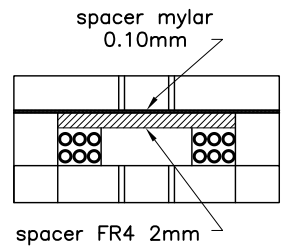


Dimensions	Electrical diagram
------------	--------------------

PIN OUT – BOTTOM VIEW



Section view



Dimensions in millimeters
2015/863/UE (RoHS-3) compliant

Electrical features

Inductance N1	6μH ± 10%
Core – material	TDK88721 PQ35/4.875 – PC95
Core – material	TDK88318 PQ35/13 DG – PC95 AL 200 μH
LITZ Wire 245x0.10mm	Rupalit Classic Plus – E135341

ICE					
	01	16.07.21	Release	A. Ridolfi	C. Picciani
	REV	APPR DATE	REF. MOD.	DESCRIPTION OF MODIFICATION	EMITTED
DESCRIPTION		Choke Lr PQI35/23 – LR100002800			
Mod. AQ 05.09	DOCUMENT S.T.	P/N 8073.1101.001	REVISION 01	RELEASE DATE 16.07.21	PAGE 1di1