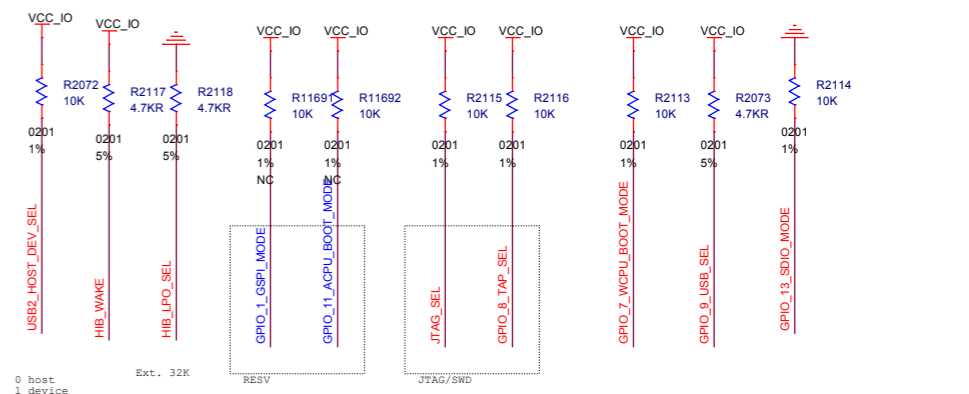
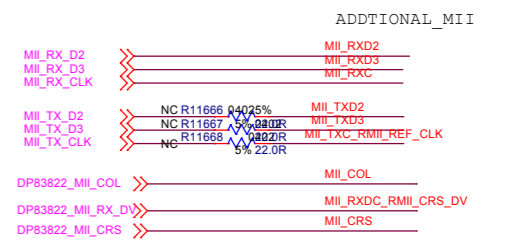
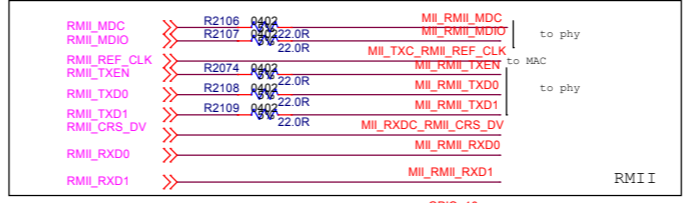
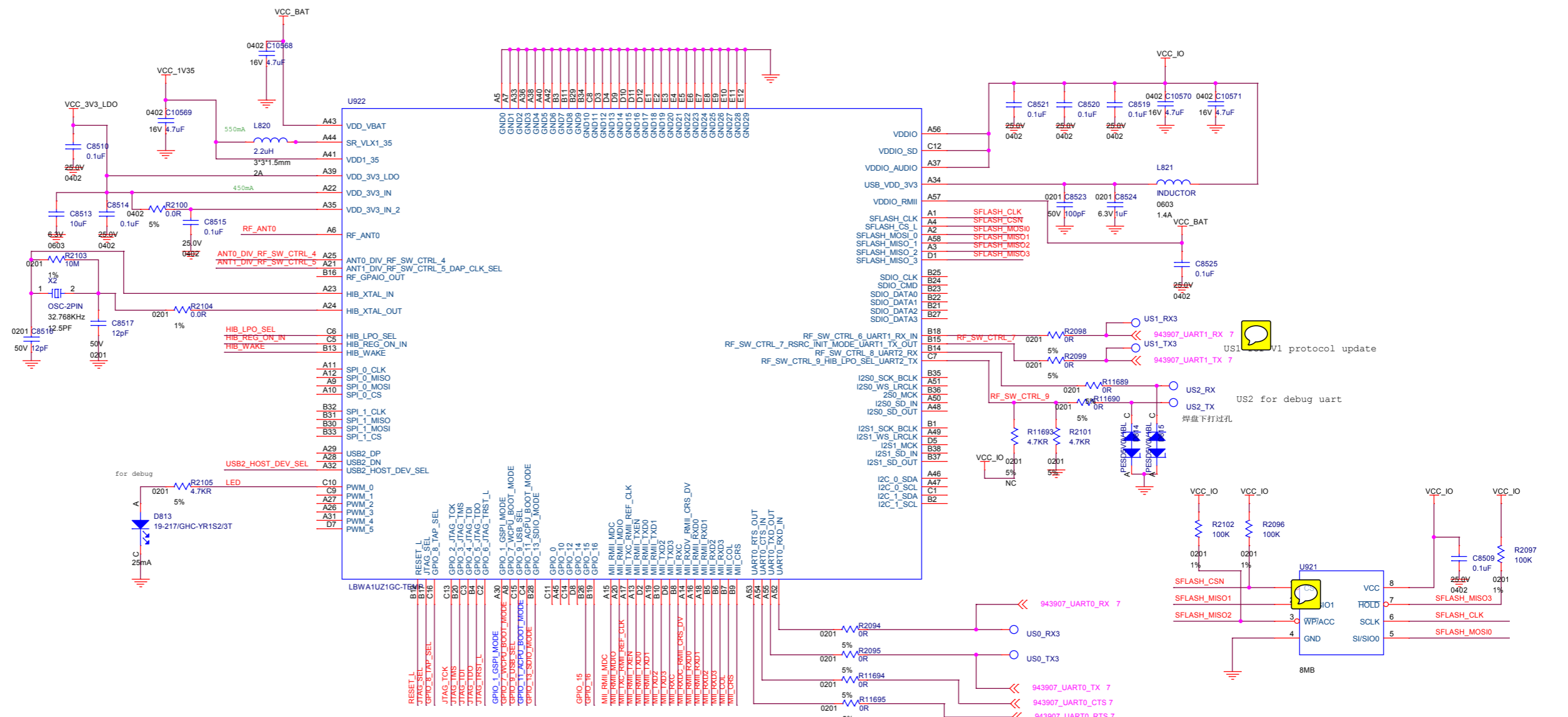


	ANT0_DIV_RF_SW_CTRL_4	ANTI_DIV_RF_SW_CTRL_5
TX	1	0
RX	0	1



NOTICE

THIS CIRCUIT IS PROPRIETARY TO DAJIANG INNOVATION TECHNOLOGY Co., Ltd

SUPPLIED FOR USE WITH DAJIANG INNOVATION TECHNOLOGY Co., Ltd

Author

Design: Jacen Lin

Check:

SCALE = NONE

Tel: (86)755-2665677
Fax: (86)755-83067370
www.dji-innovations.com

TITLE: SCHEMATIC

SIZE	IC NO.	REV.
A3	CYW43907	V1

DATE: Monday, July 16, 2018

SHEET 8 OF 9