

6

5

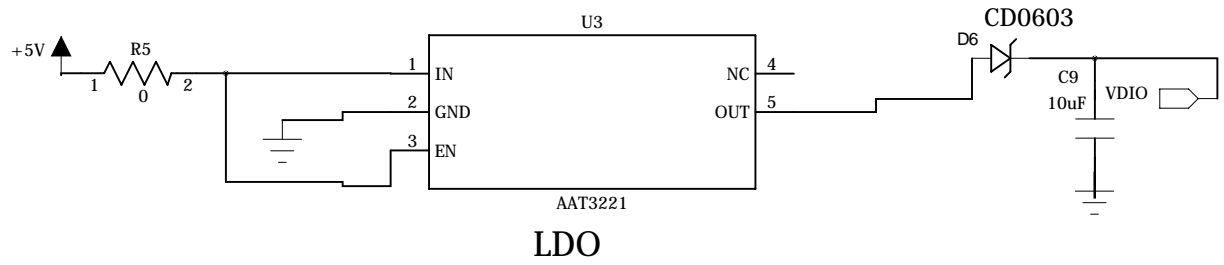
4

3

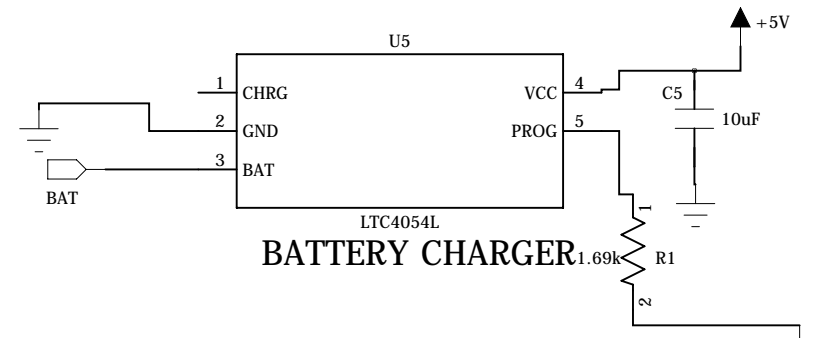
2

1

REVISION RECORD			
LTR	ECO NO:	APPROVED:	DATE:

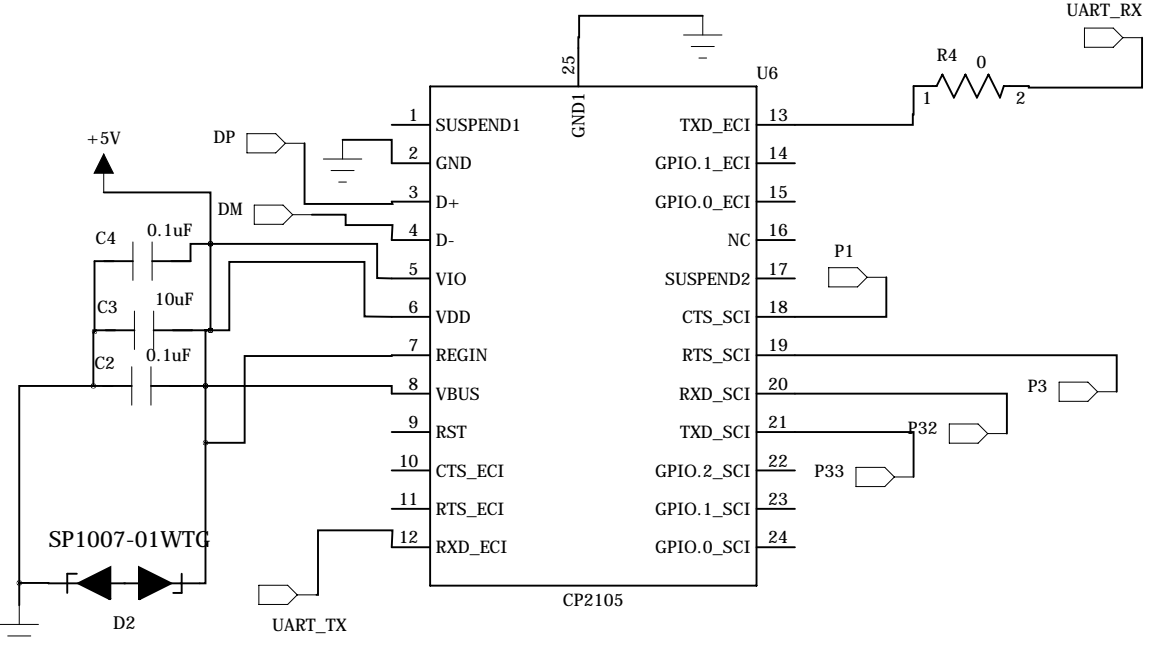


LDO

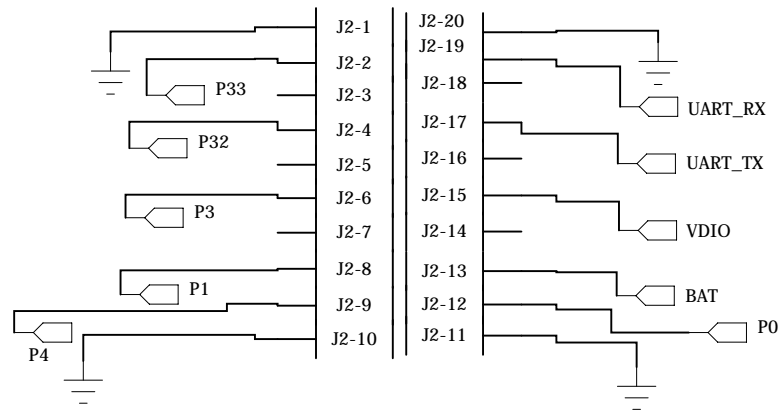
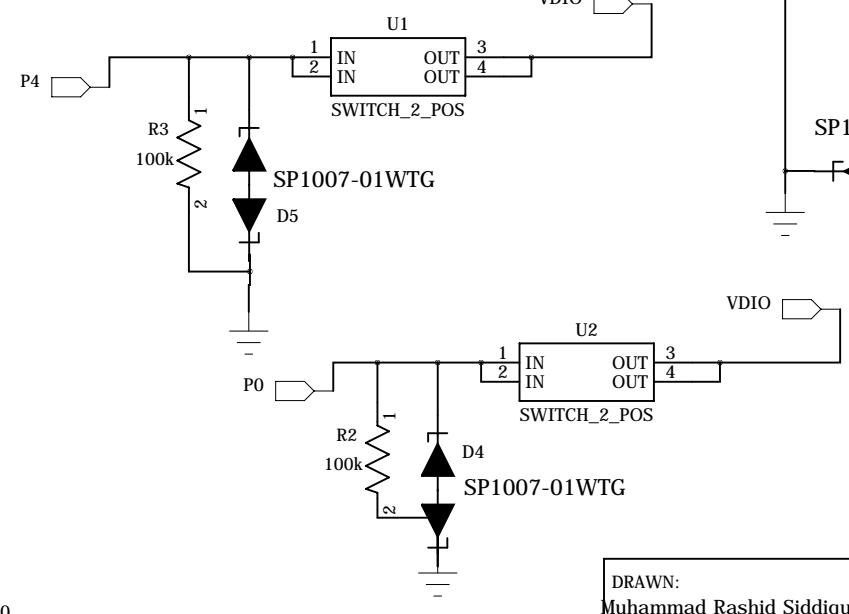
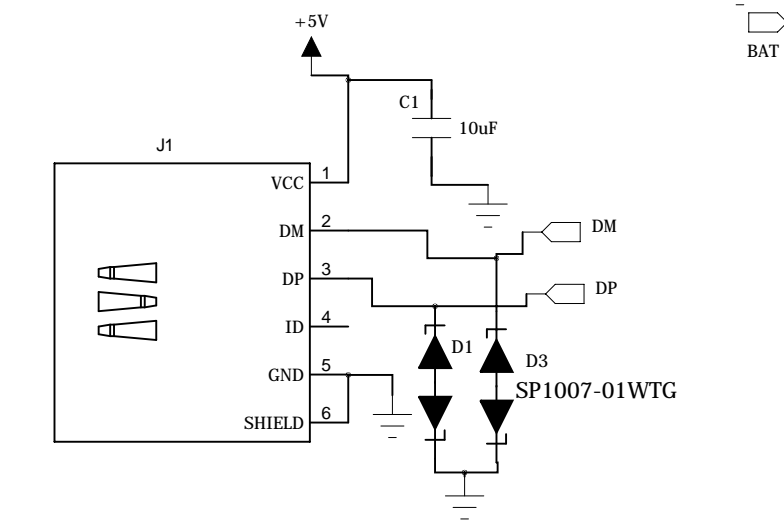


BATTERY CHARGER

USB TO DUAL UART BRIDGE



USB\_MICROB\_BOTT\_TYNDALL



COMPANY: Tyndall National Institute			
TITLE: WIMU Ring debugger			
DRAWN: Muhammad Rashid Siddique	DATED: <Drawn Date>	CODE: <Code>	SIZE: B
CHECKED: John Buckley/ Salvatore Tedesco	DATED: <Checked Date>	DRAWING NO: <Drawing Number>	
QUALITY CONTROL: <QC By>	DATED: <QC Date>	REV: <Revision>	
RELEASED: <Released By>	DATED: <Release Date>	SCALE: <Scale>	SHEET: 1 of 1

D

D

C

C

B

B

A

A