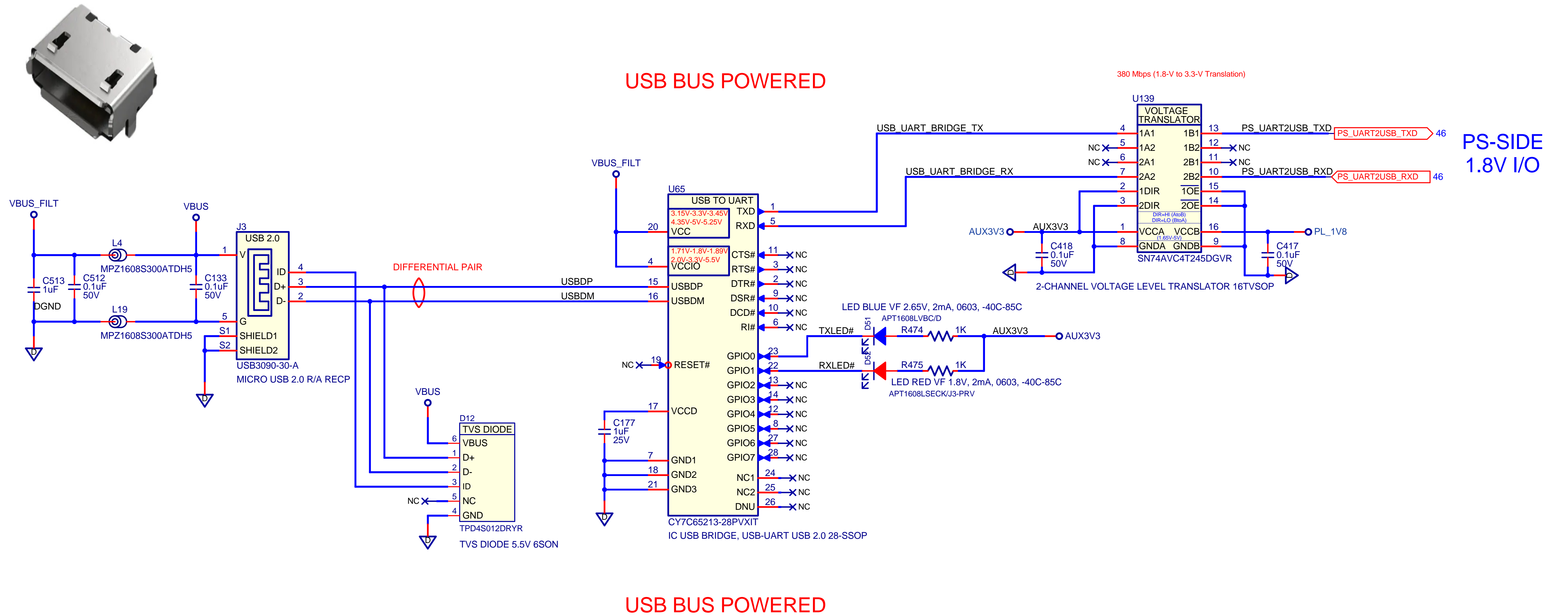


# PS-SIDE USB TO UART BRIDGE



# PS-SIDE USB TO UART BRIDGE

SIZE	FSCM NO.	DWG NO.
D	12934	
Rev	12/21/2020:14:45	SHEET 39 OF 50

DISTRIBUTION STATEMENT