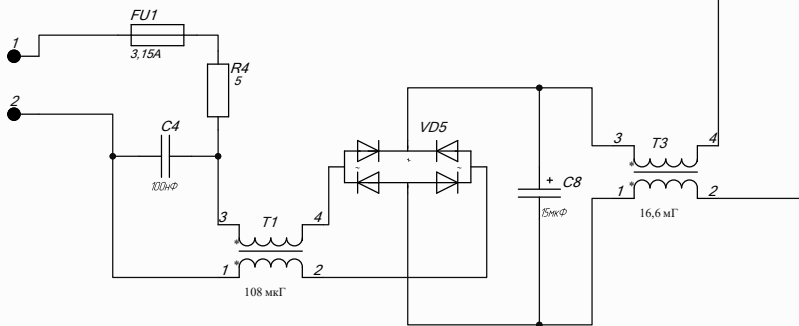
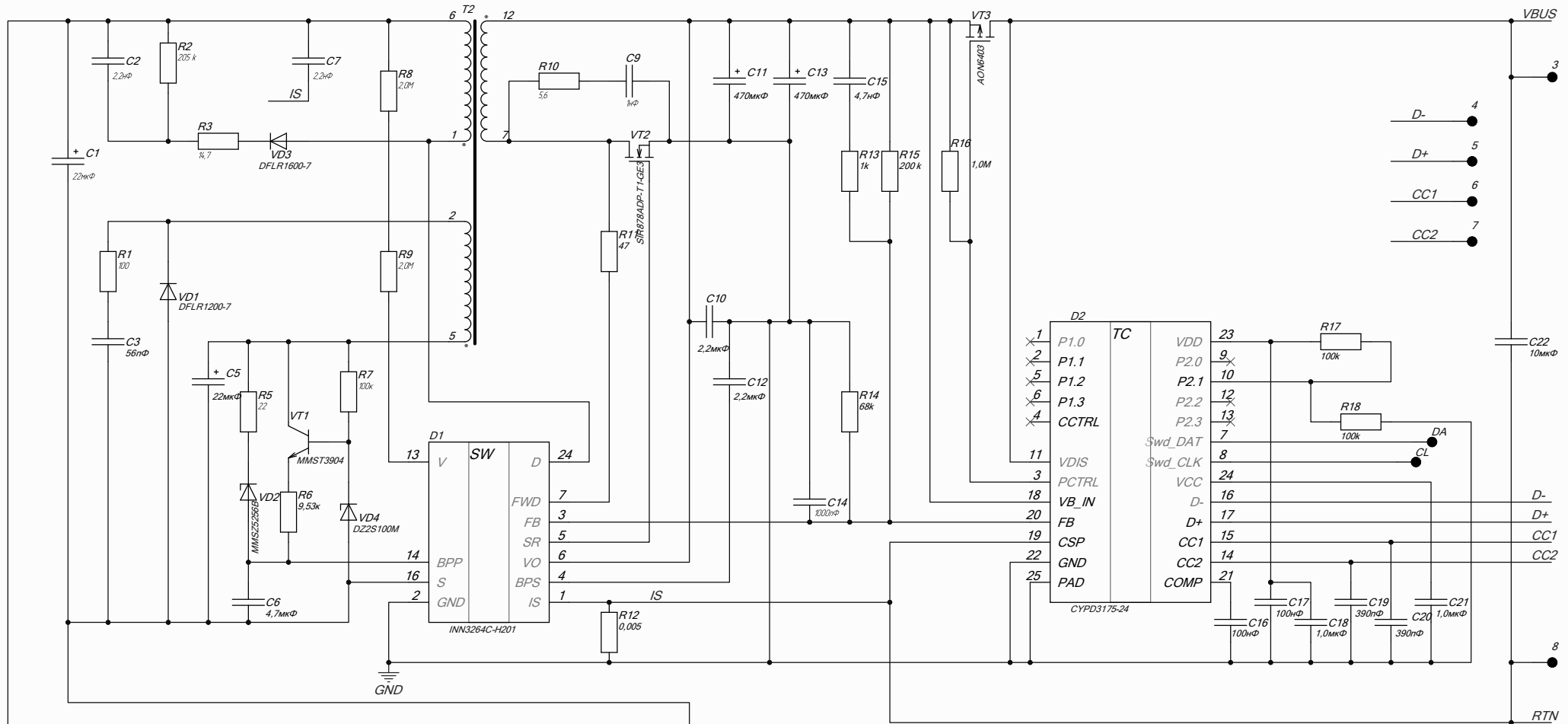


THIS DOCUMENT AND THE DATA DISCLOSED HEREIN OR HEREWITH IS THE PROPERTY OF ALTUM LIMITED AND MAY BE FREELY DISTRIBUTED IN WHOLE. NO RIGHTS ARE RESERVED OR EXPRESS OR IMPLIED WARANTEE GIVEN.

REVISION	DESCRIPTION	DATE	APPROVED



APPROVALS	DATE	PROJECT
ENG: .		
DSN: .		
CHK: .		
REFERENCE DOCUMENTS		TITLE
BOM:		b
ASSY DWG:	SIZE	CAGE CODE
FAB DWG:	A3	DWG NO.
PCB DWG:	SCALE:	FILE NAME
		ACDC18.SchDoc
		SHEET OF
		a



PROJECT REVISION: Not in version control  
DOCUMENT REVISION: Not in version control  
DESIGN ITEM: Not in version control