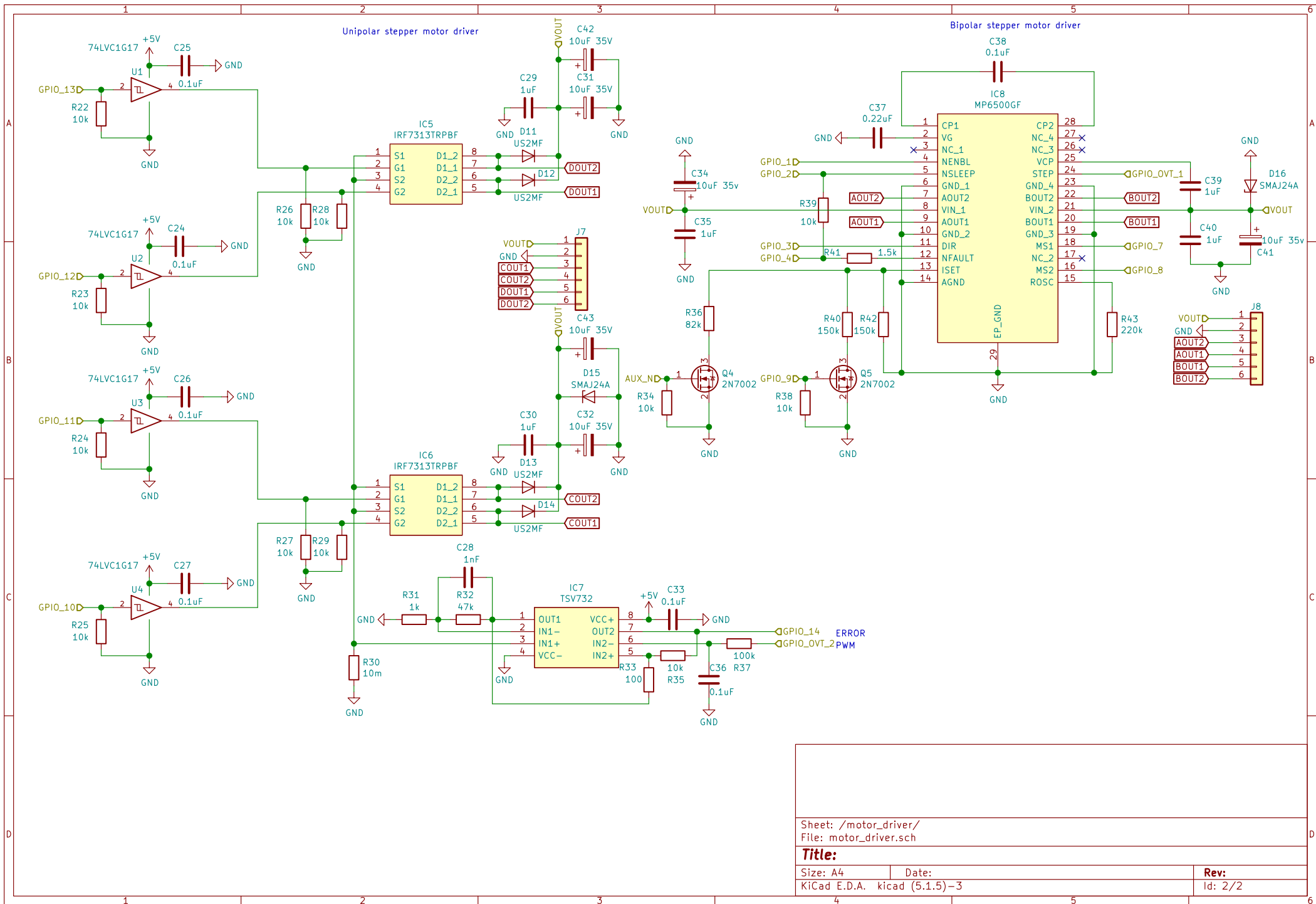


Author: Nazar Melnichek  
**PIASIC**  
 Sheet: /  
 File: usb\_type\_c\_motor\_driver\_rev\_0\_2\_3.sch  
**Title: USB type C Motor control electrical circuit**  
 Size: A4 Date: 2020-04-29 Rev: 0.2.3  
 KiCad E.D.A. kicad (5.1.5)-3 Id: 1/2



Sheet: /motor_driver/	
File: motor_driver.sch	
<b>Title:</b>	
Size: A4	Date:
KiCad E.D.A. kicad (5.1.5)-3	Rev: Id: 2/2