

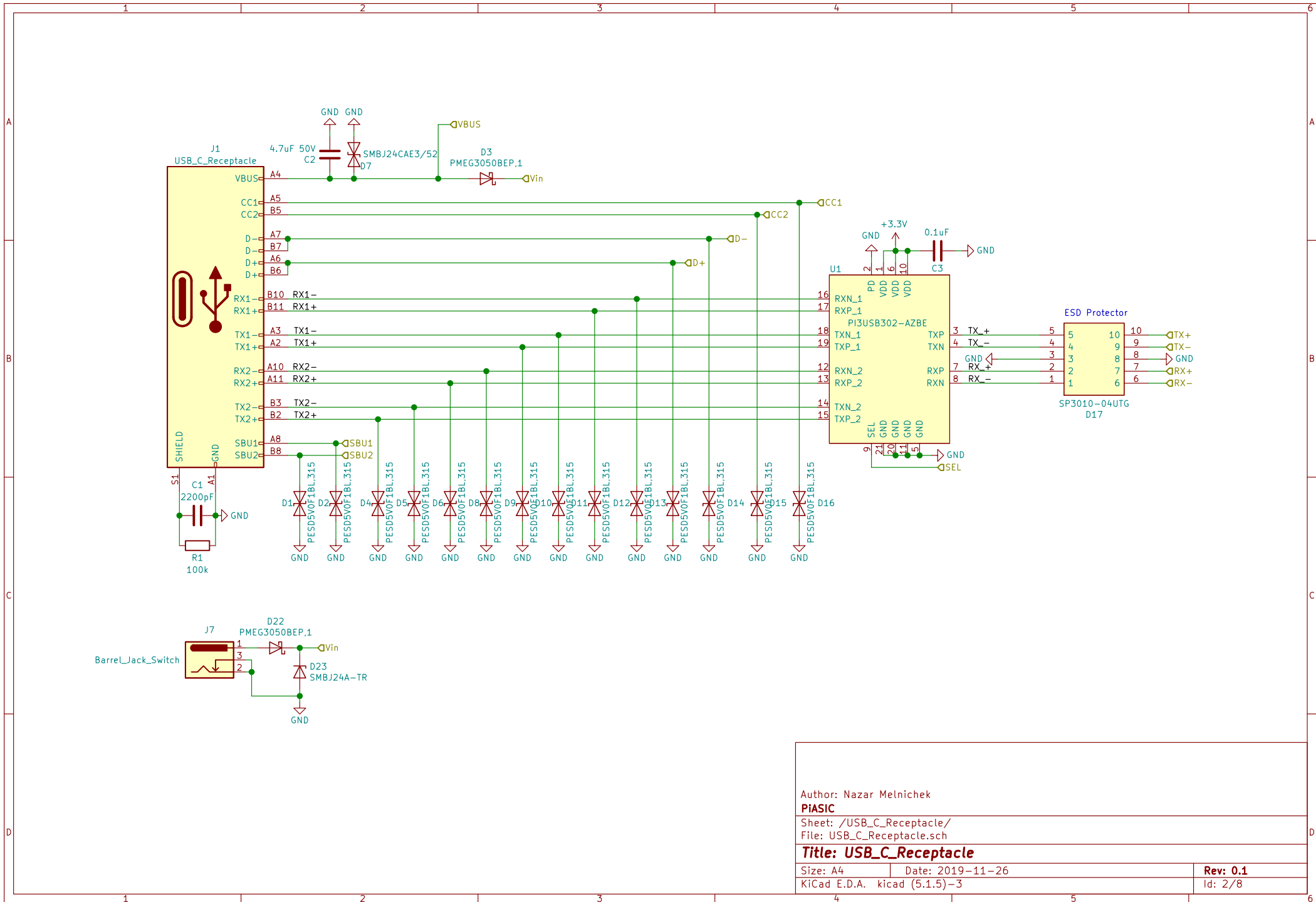
Author: Nazar Melnichek
PIASIC

Sheet: /
 File: USB_type_c_motor_driver.sch

Title: Block diagram

Size: A4 Date: 2019-11-26
 KiCad E.D.A. kicad (5.1.5)-3

Rev: 0.1
 Id: 1/8



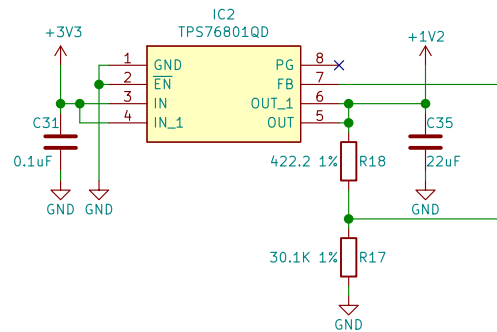
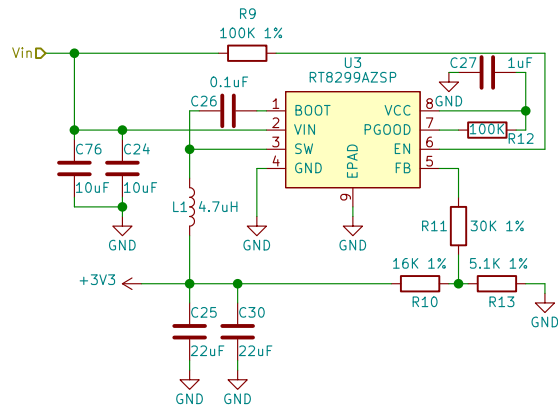
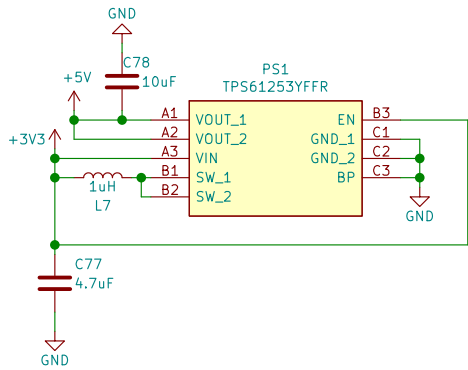
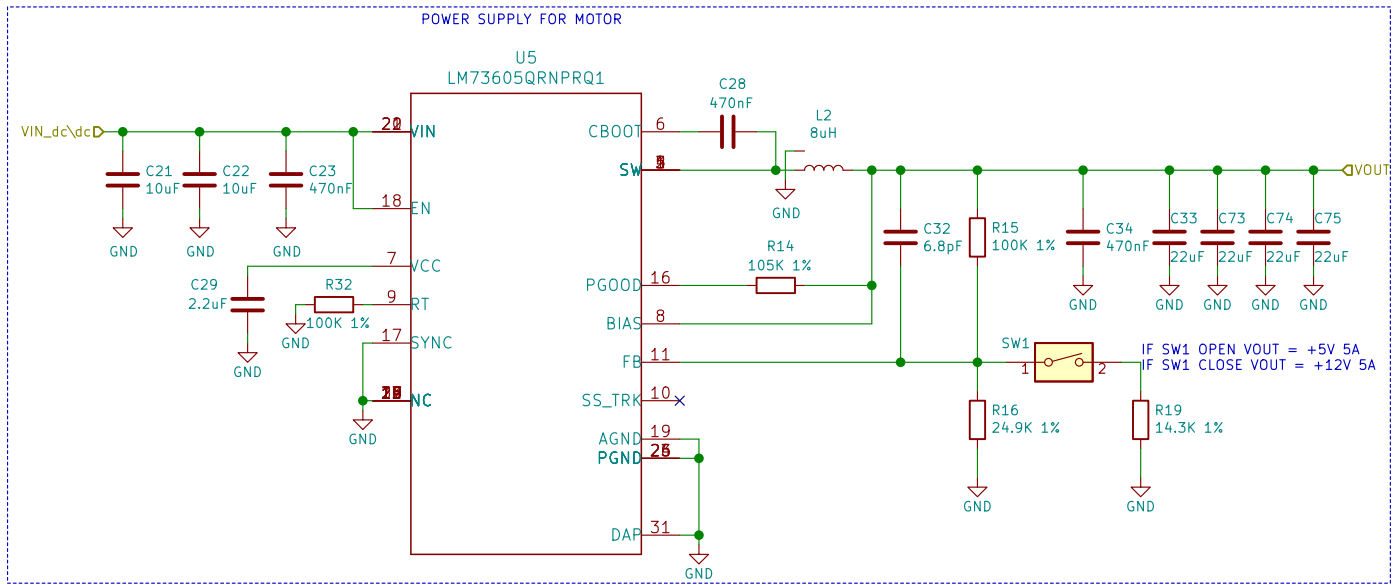
Author: Nazar Melnichek
PIASIC

Sheet: /USB_C_Receptacle/
 File: USB_C_Receptacle.sch

Title: USB_C_Receptacle

Size: A4 Date: 2019-11-26
 KiCad E.D.A. kicad (5.1.5)-3

Rev: 0.1
 Id: 2/8



Author: Nazar Melnichek
PIASIC

Sheet: /Power_Supply/
 File: Power_Supply.sch

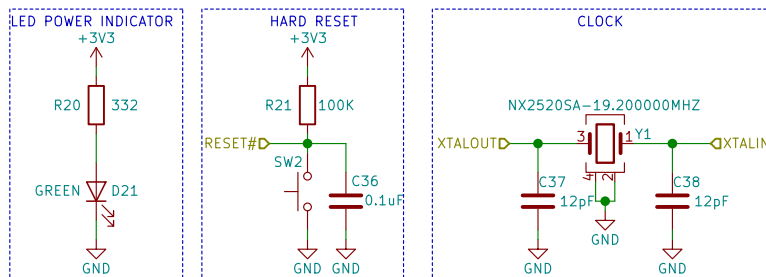
Title: Power_Supply

Size: A4 Date: 2019-11-26

KiCad E.D.A. kicad (5.1.5)-3

Rev: 0.1

Id: 3/8



Author: Nazar Melnichek
PIASIC

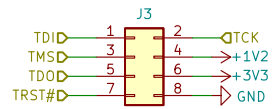
Sheet: /CLK_RST_LED/
 File: CLK_RST_LED.sch

Title: CLK_RST_LED_POWER_INDICATOR

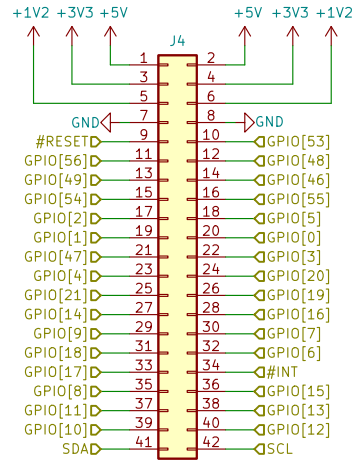
Size: A4 Date: 2019-11-26
 KiCad E.D.A. kicad (5.1.5)-3

Rev: 0.1
 Id: 4/8

CONNECTOR JTAG FOR SuperSpeed USB Controller



CONNECTORS GPIOs FOR SuperSpeed USB Controller



Author: Nazar Melnichek
PIASIC

Sheet: /Pin_Header_SS_USB_Controller/
 File: Pin_Header_SS_USB_Controller.sch

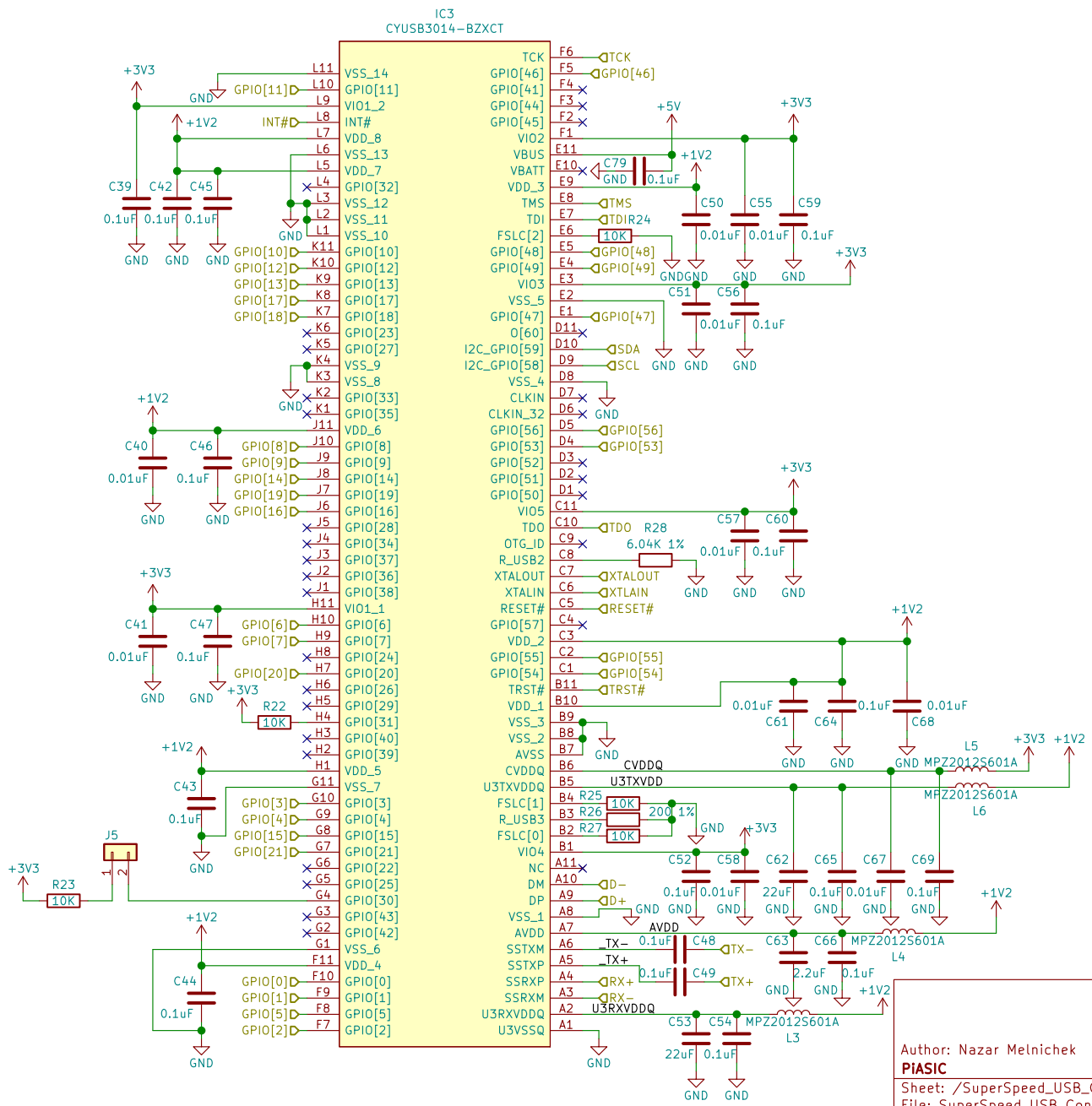
Title: CONNECTORS_JTAG_GPIO

Size: A4 Date: 2019-11-26

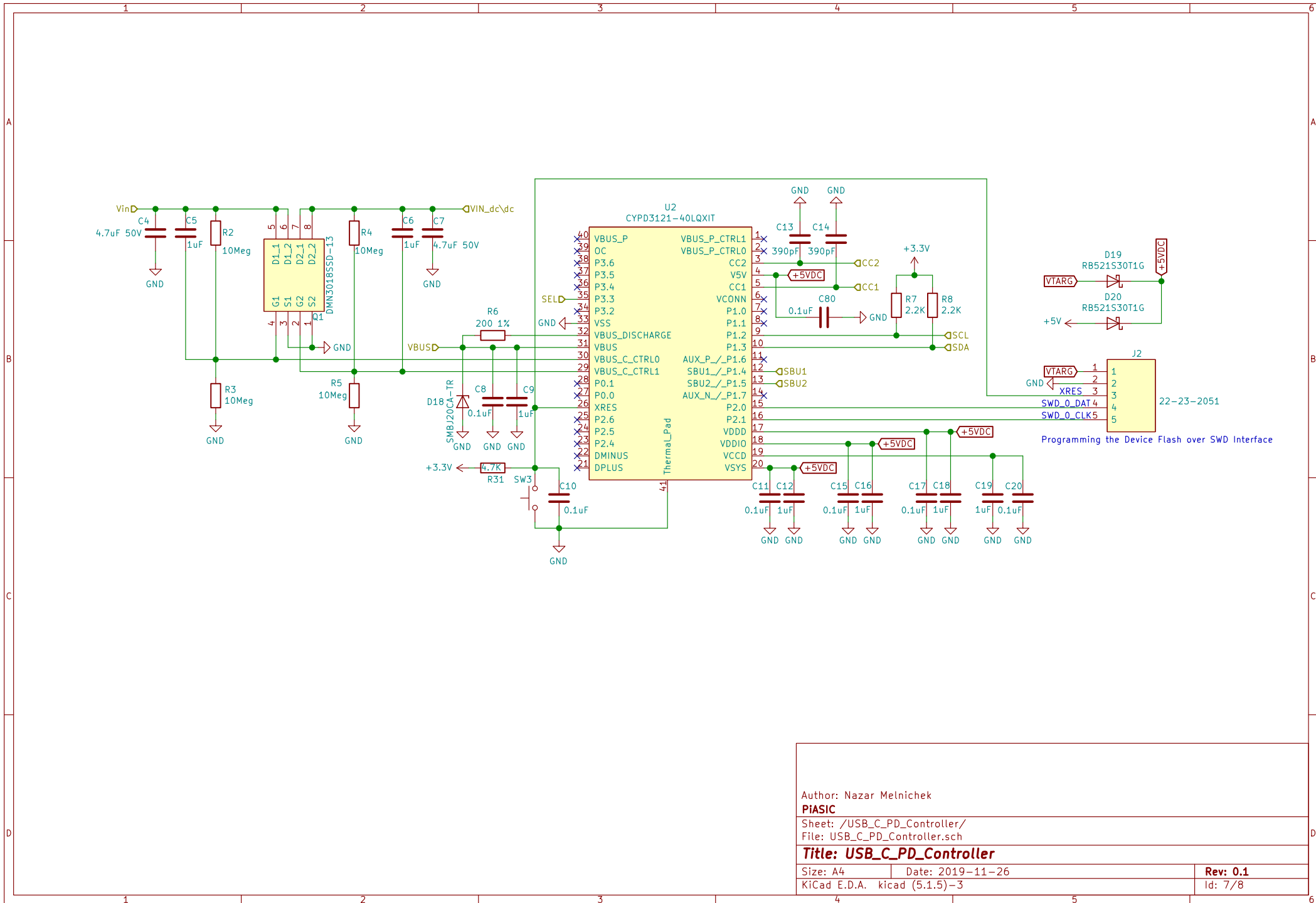
KiCad E.D.A. kicad (5.1.5)-3

Rev: 0.1

Id: 5/8

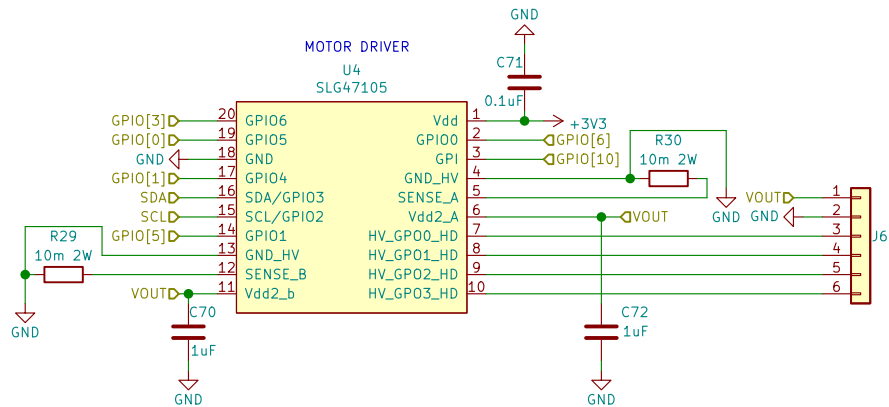


Author: Nazar Melnichek	
PIASIC	
Sheet: /SuperSpeed_USB_Controller/	
File: SuperSpeed_USB_Controller.sch	
Title: SuperSpeed_USB_Controller	
Size: A4	Date: 2019-11-26
KiCad E.D.A. kicad (5.1.5)-3	Rev: 0.1
	Id: 6/8



Author: Nazar Melnichek
PIASIC
 Sheet: /USB_C_PD_Controller/
 File: USB_C_PD_Controller.sch
Title: USB_C_PD_Controller

Size: A4	Date: 2019-11-26	Rev: 0.1
KiCad E.D.A. kicad (5.1.5)-3		Id: 7/8



Author: Nazar Melnichek
PIASIC

Sheet: /Motor_Driver/
 File: Motor_Driver.sch

Title: Motor_Driver

Size: A4 Date: 2019-11-26
 KiCad E.D.A. kicad (5.1.5)-3

Rev: 0.1
 Id: 8/8