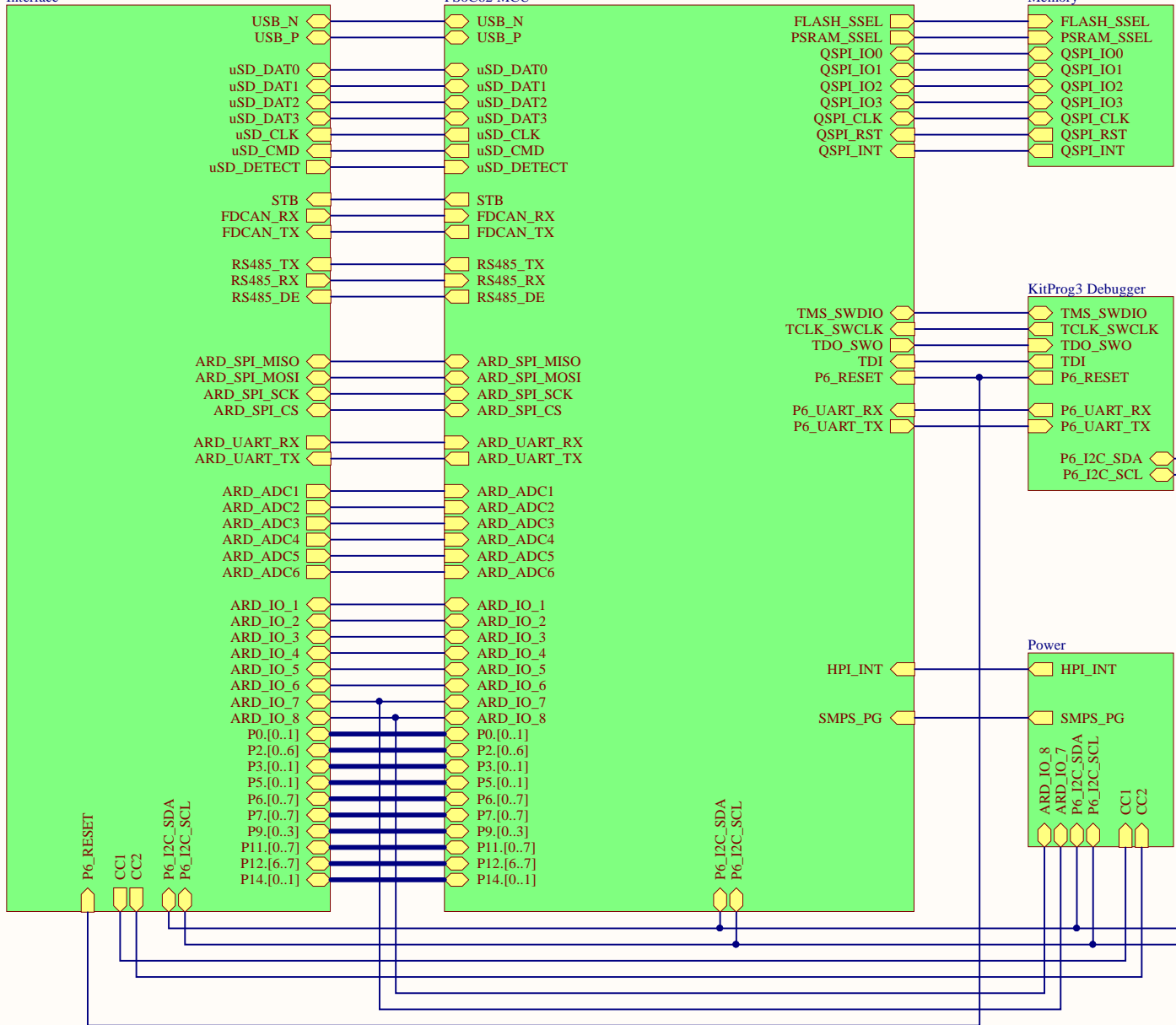
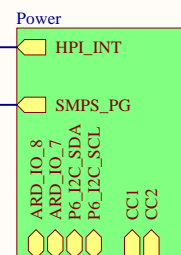
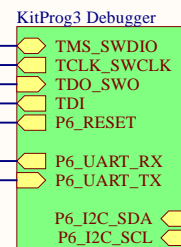
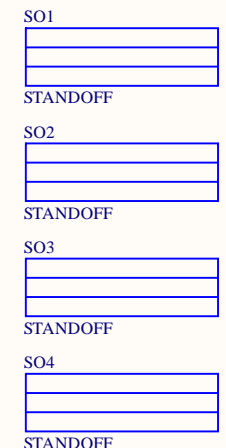


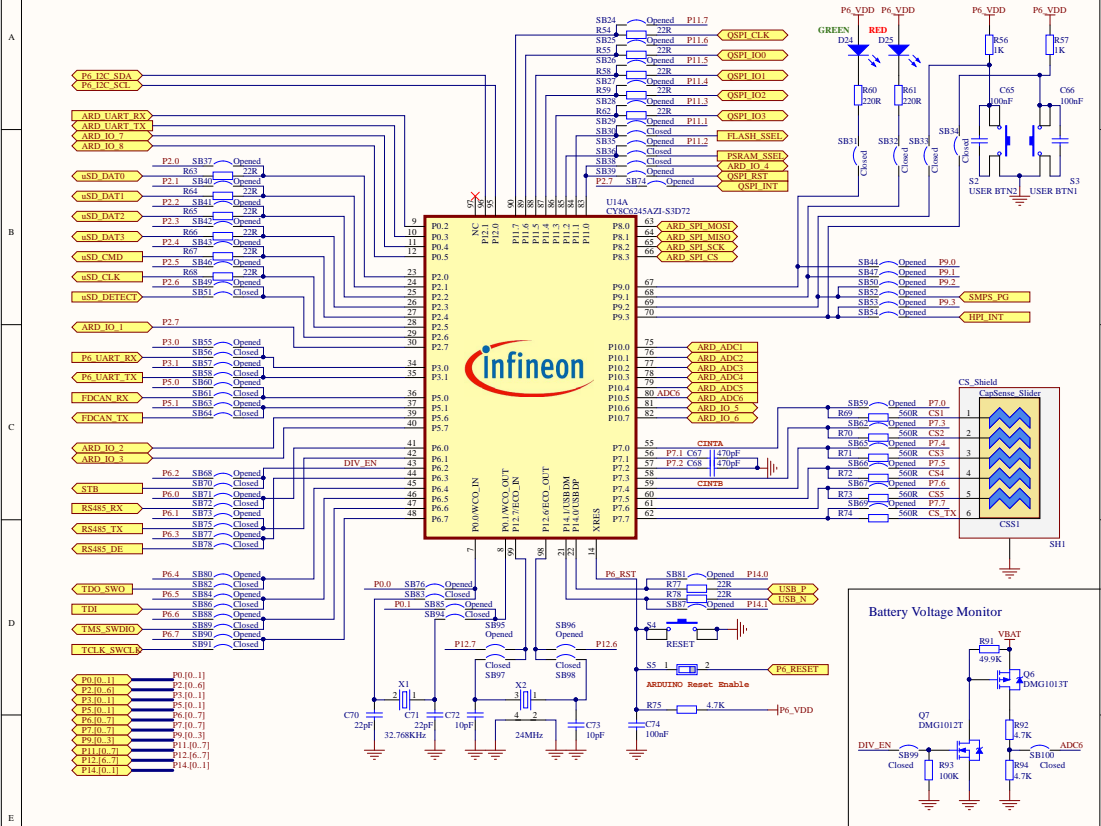
Interface

PSoC62 MCU

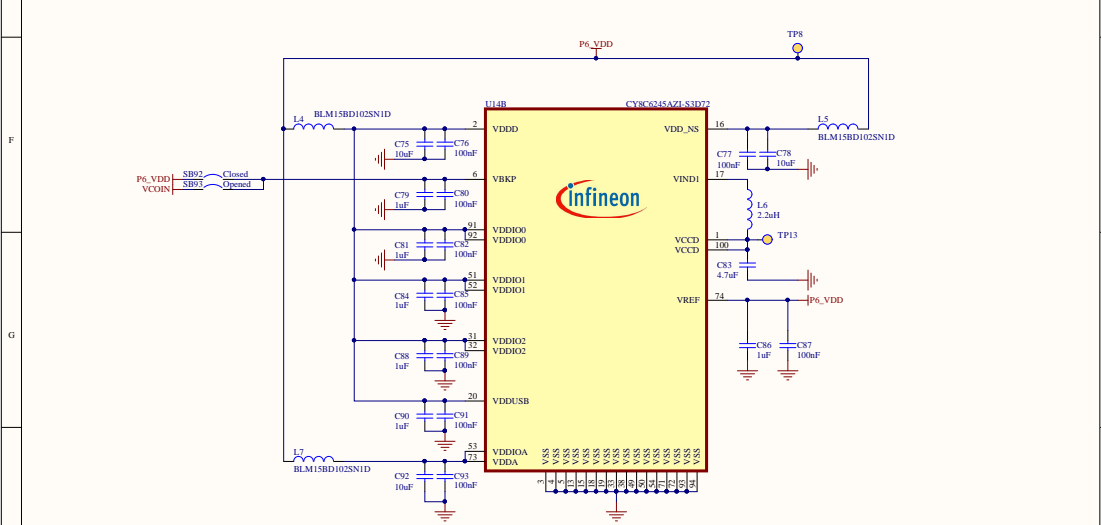
Memory



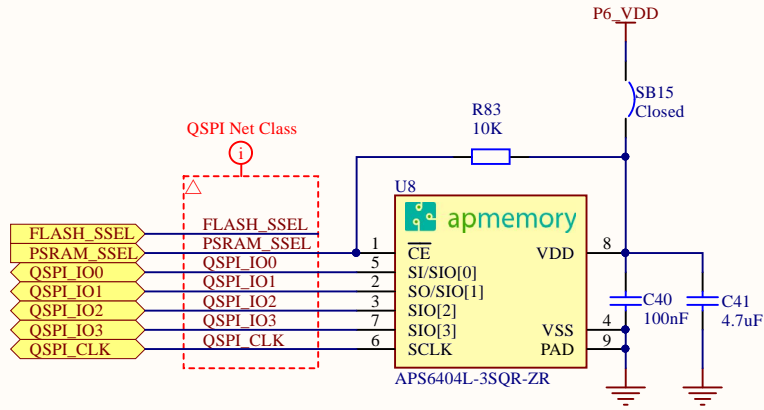
PSoC62 Analog & Digital



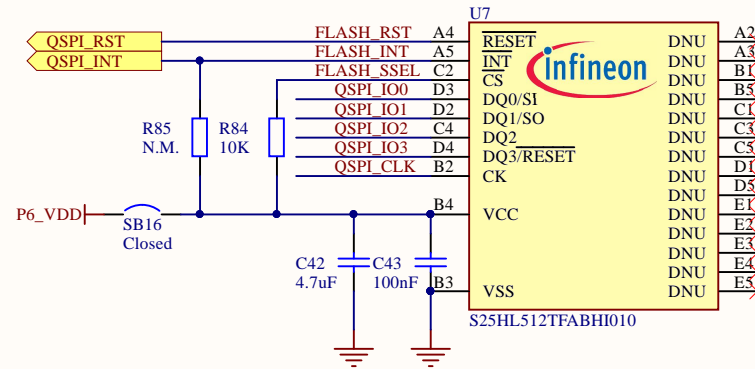
PSoC62 Power Supply



QSPI PSRAM



QSPI Secure Flash

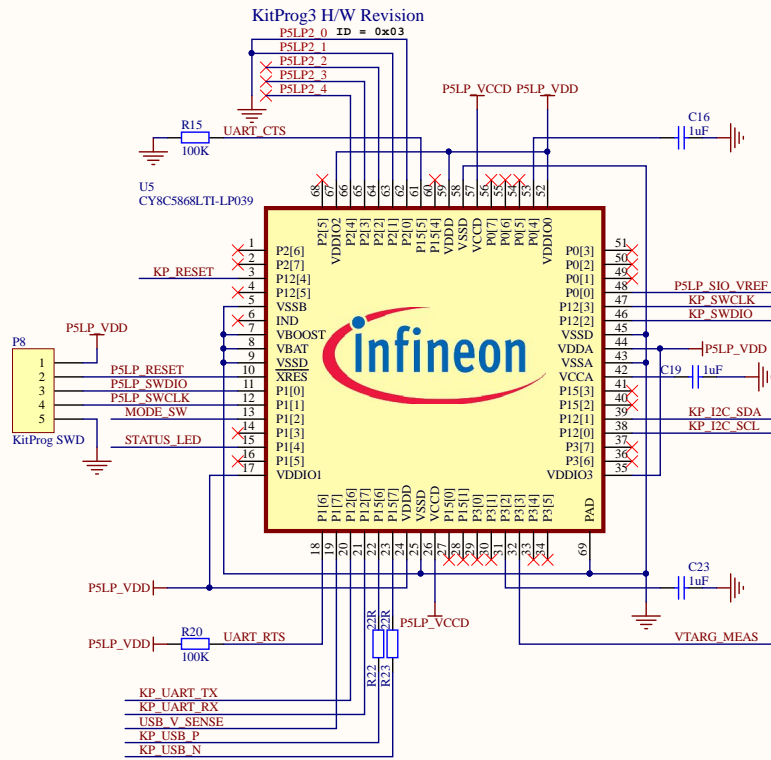


Title External Memory		
Size: A4	Revision:	Drawn By: GDR
Date: 2021-08-17	Sheet 3 of 6	
Time: 14:54:20		

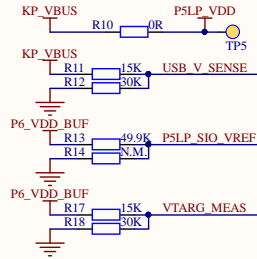
Rutronik Elektronische Bauelemente GmbH
Jonavos g. 30
44262 Kaunas
Lithuania



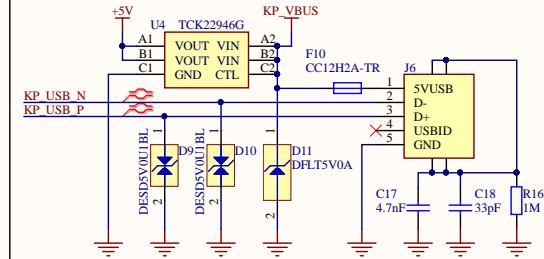
PSoC 5LP based KitProg3



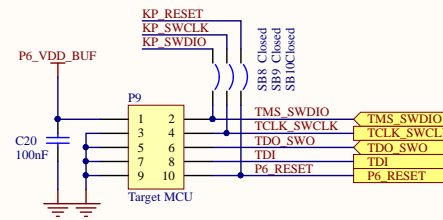
Voltage Monitoring & Power



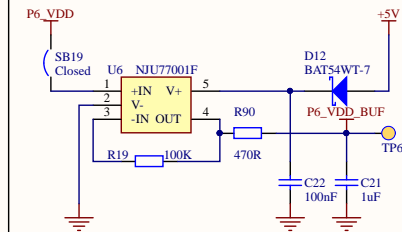
KitProg USB Interface



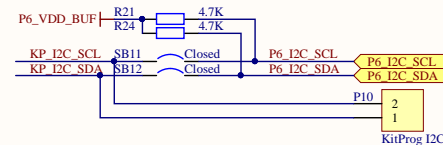
JTAG & SWD Header



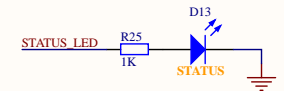
Target Voltage Follower



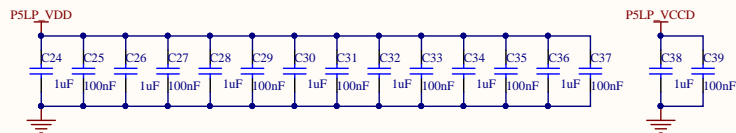
KitProg I2C Interface



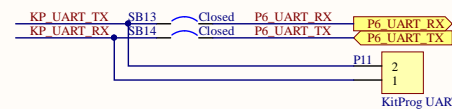
KitProg Status LED



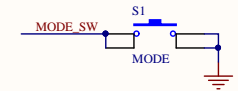
PSoC 5LP Decoupling Capacitors



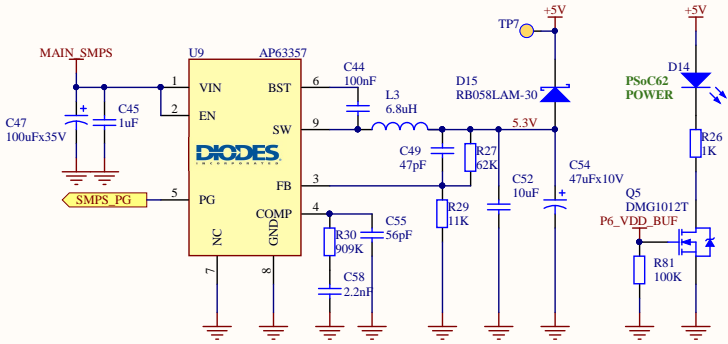
KitProg UART Interface



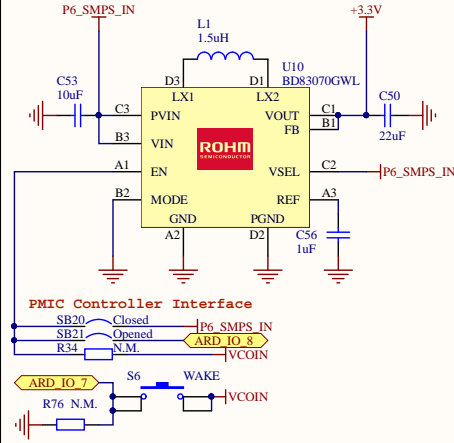
Mode Switch



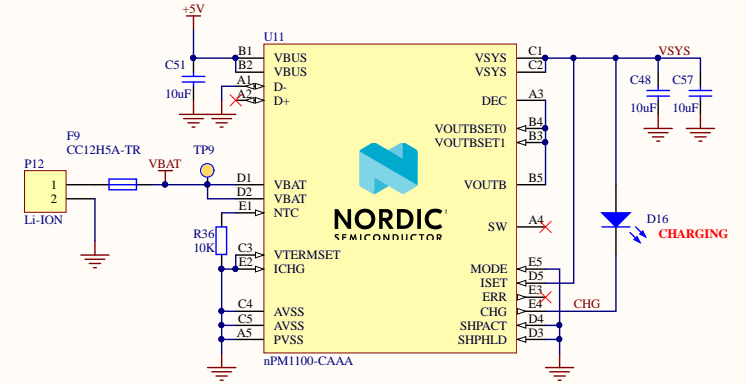
Main SMPS



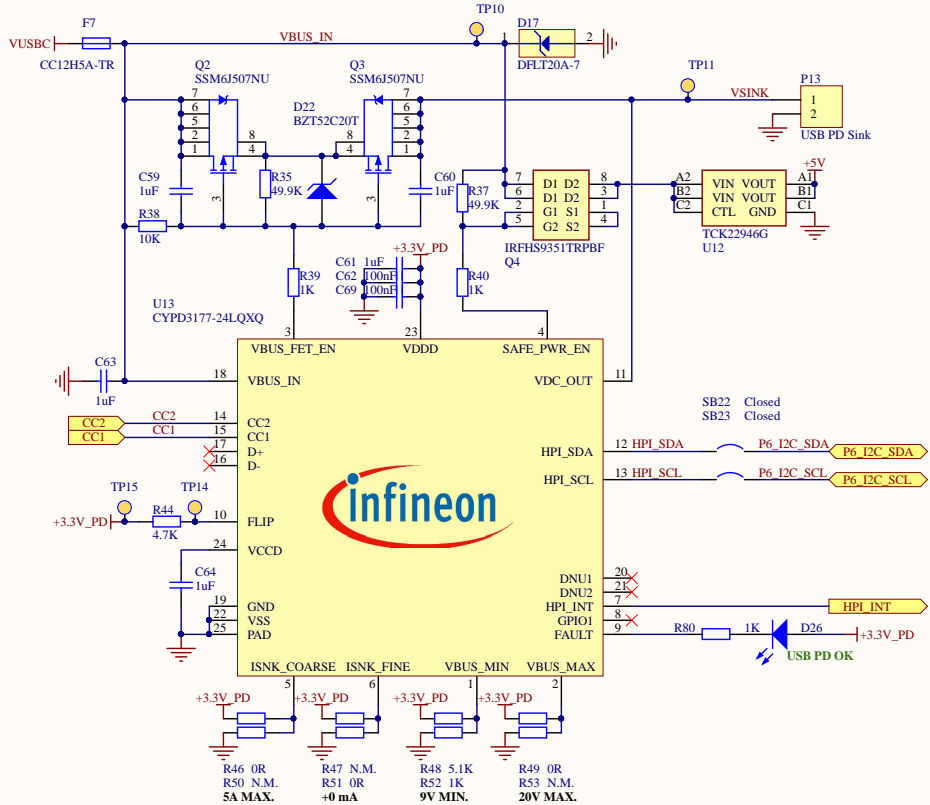
3.3V Buck/Boost



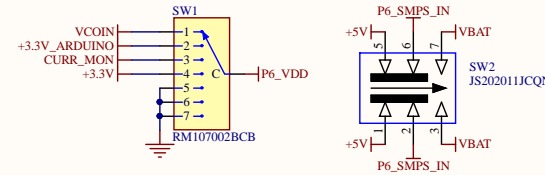
Li-ION Charger



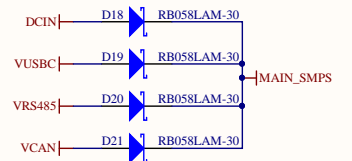
USB-C Power Delivery Sink Device



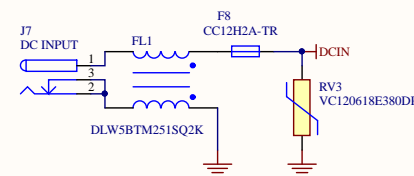
Power Source Selectors



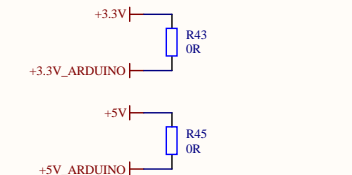
OR-ing Diodes



DC Jack Input



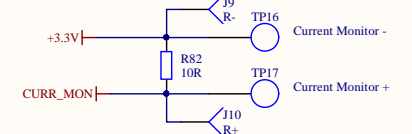
Arduino Power Supply



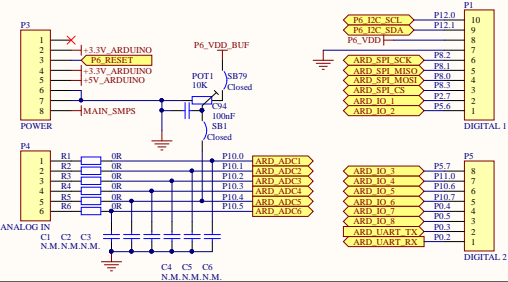
Coin Battery & GND Test Point



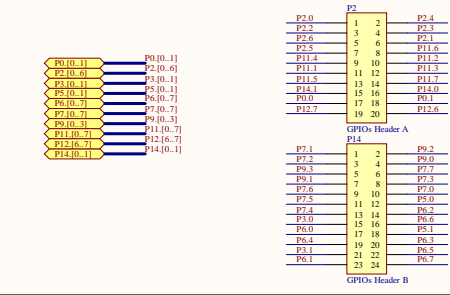
Current Monitor Terminals



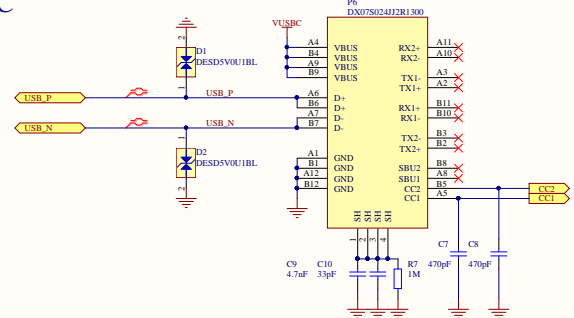
Arduino



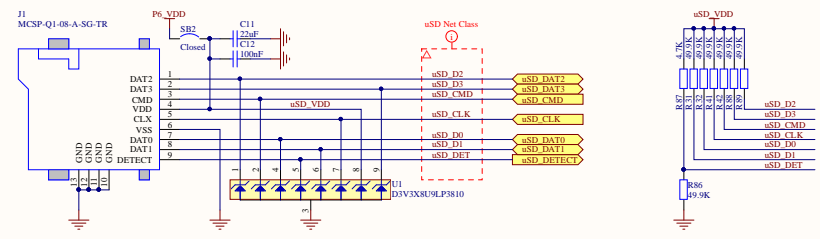
GPIO Headers



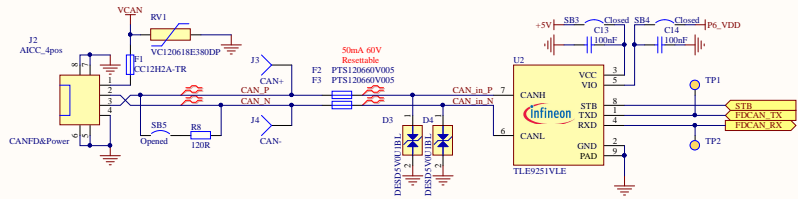
USB Type-C



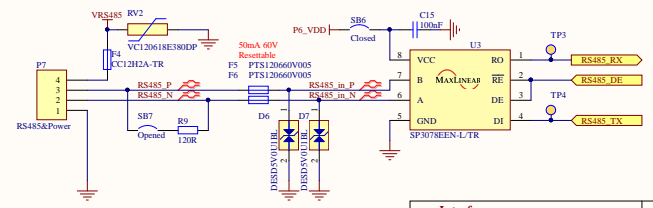
Micro SD Card



CAN FD



RS485



A

B

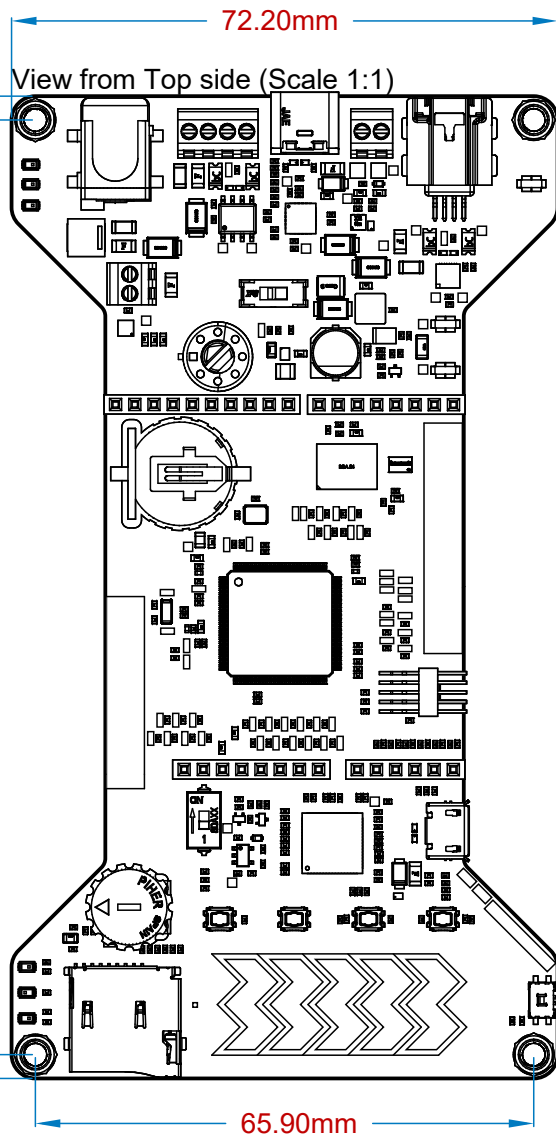
C

D

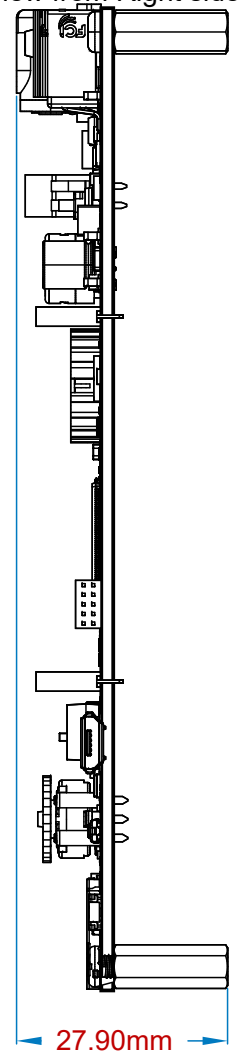
E

1

1



View from Right side (Scale 1:1)



2

2

3

3

4

4

A

B

C

D

E

