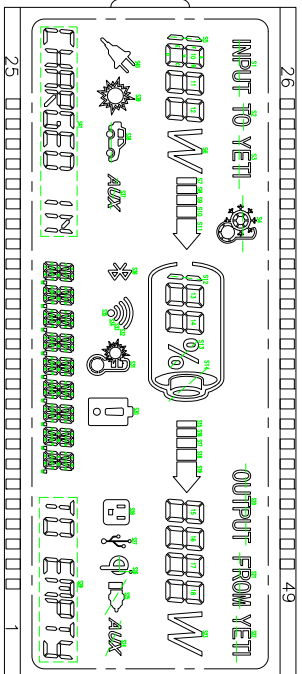
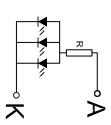
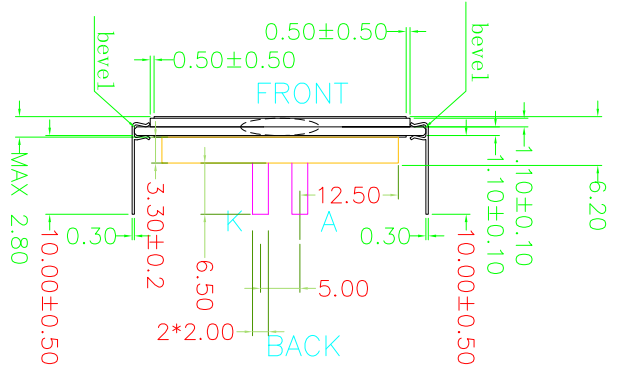
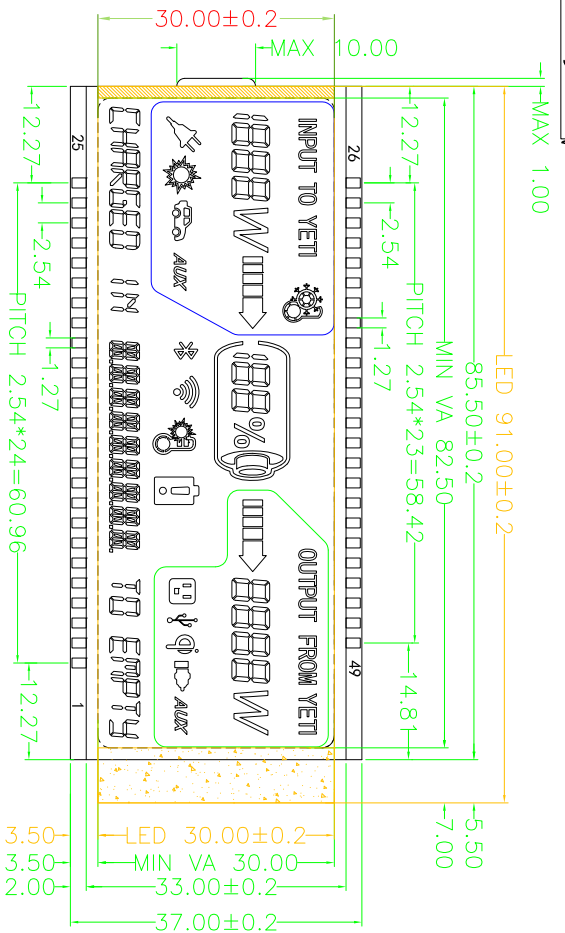


CUSTOMER APPROVE BY: *A Shih Chin*

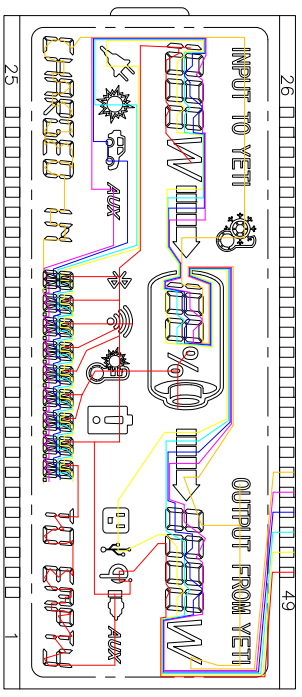
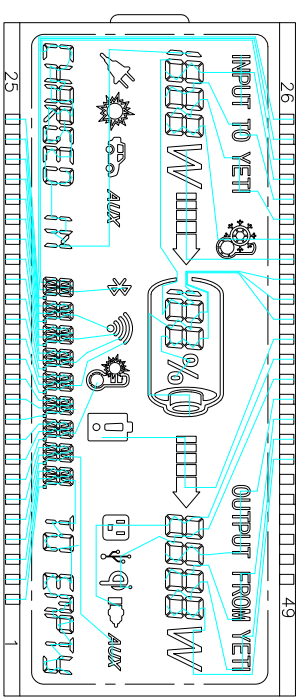


- NOTES:
1. DISPLAY TYPE: VA
 2. LCD OPERATING VOLTAGE: 3.3V
 3. OPERATING TEMPERATURE: -20°C TO +70°C
 4. STORAGE TEMPERATURE: -30°C TO +80°C
 5. DRIVE MODE: 1/6 DUTY, 1/3 BIAS
 6. VIEWING DIRECTION: 12 O'CLOCK
 7. POLARIZER TYPE: TRANSMISSIVE NEGATIVE
 8. CONNECTOR: PIN
 9. BACKLIGHT: 3 PCS WHITE LED; IF=45mA, V=3.3V
 10. Unspecified tolerance is ±0.2mm

DISPLAYBLY.com 香港布莱克科技有限公司
 DISPLAYBLY (HK) TECHNOLOGY CO., LIMITED

Pro. Mode	JDL0643A00	Drawing Name	ASSEMBLY DRAWING
SIZE	Tolerance	Draw. BY	GREG
L < 15	±0.10	Chec. BY	TOM
15 ≤ L < 100	±0.20	Appr. BY	BEN
100 ≤ L < 150	±0.25	Scale	Drawing NO.
Proj. Rule(3)		1 : 1	JDL0643A00-1
			Version
			A

CUSTOMER APPROVE BY: *A* *Stefan Blum*



PIN	1	2	3	4	5	6	7	8	9	10	11	12	13	14	15	16	17	18	19	20	21	22	23	24	25
SEG1	SEG2	SEG3	SEG4	SEG5	SEG6	SEG7	SEG8	SEG9	SEG10	SEG11	SEG12	SEG13	SEG14	SEG15	SEG16	SEG17	SEG18	SEG19	SEG20	SEG21	SEG22	SEG23	SEG24	SEG25	
COM1	S50	9E	S49	8E	8F	S48	7E	7F	S47	6E	6F	S46	5E	5F	S45	4E	4F	S44	3E	3F	S43	2E	2F	S42	
COM2	9P	9N	8D	8P	8N	7D	7P	7N	6D	6P	6N	5D	5P	5N	4D	4P	4N	4G	3D	3P	3N	2D	2N	1D	
COM3	9C	9G	8C	8G	8C	7C	7G	7C	6C	6G	6C	5C	5G	5C	4C	4G	4C	4G	3C	3G	2C	2G	1C	1G	
COM4	9K	9M	8K	8M	8L	7K	7M	7L	6K	6M	6L	5K	5M	5L	4K	4M	4L	4H	3K	3M	3L	2K	2M	1K	
COM5	9B	9U	9H	8B	8U	8H	7B	7U	7H	6B	6U	6H	5B	5U	5H	4B	4U	4H	3B	3U	3H	2B	2U	1B	
COM6	S29	9A	9I	S24	8A	8I	S21	7A	7I	--	6A	6I	S22	5A	5I	S23	4A	4I	S24	3A	3I	S25	2A	2I	S26

PIN	26	27	28	29	30	31	32	33	34	35	36	37	38	39	40	41	42	43	44	45	46	47	48	49
SEG26	SEG27	SEG28	SEG29	SEG30	SEG31	SEG32	SEG33	SEG34	SEG35	SEG36	SEG37	SEG38	SEG39	SEG40	SEG41	SEG42	SEG43	COM1	COM2	COM3	COM4	COM5	COM6	
TE	TF	S41	S1	S2	S3	S4	S11	S12	S13A	S14A	S19	S19F	S19A	S20	S21	S22	S23	COM1	COM2	COM3	COM4	COM5	COM6	
1P	1G	S37	10A	10B	11A	12A	S10	13F	13B	14B	S18	15G	15B	16A	16B	17A	18A	--	COM2	--	--	--	--	
1O	1S	S38	10F	11F	11B	12B	S9	13G	14F	14G	S17	15E	15C	16F	17F	17B	18B	--	COM3	--	--	--	--	
1M	1L	S39	10G	11G	12F	12G	S8	13E	13C	14C	S16	15D	16E	16G	17G	18F	18G	--	COM4	--	--	--	--	
1H	1H	S40	10C	11E	11C	12C	S7	13D	14E	14D	S15	S28	S27	16C	17E	17C	18C	--	COM5	--	--	--	--	
1A	1I	S5	10D	11D	12E	12D	S6	10E	S14	S13	S30	S25	S26	16D	17D	18E	18D	--	COM6	--	--	--	--	

DISPLAYBLY.com 香港布萊克科技有限公司
 DISPLAYBLY (HK) TECHNOLOGY CO., LIMITED

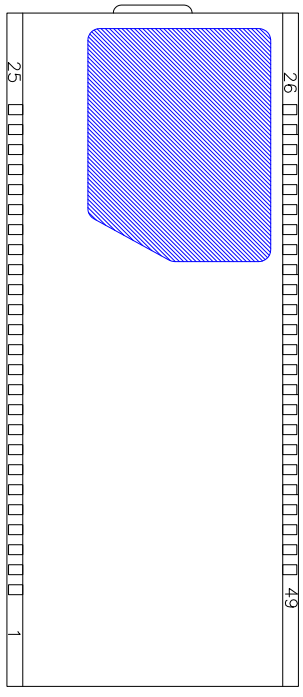
Pro. Mode	JDL0643A00	Drawing Name	SEG & COM
SIZE	Tolerance	Draw. BY	MATERIAL
L < 15	±0.10	Chec. BY	TOM
15 ≤ L < 100	±0.20	Appr. BY	BEN
100 ≤ L < 150	±0.25	Scale	Drawing NO.
Proj. Rule(3)		1 : 1	JDL0643A00-2
			Version A

B

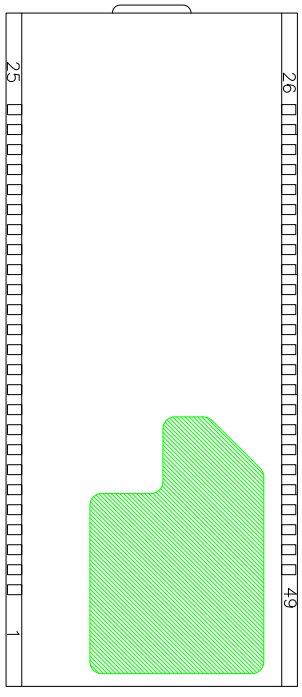
C

D

CUSTOMER APPROVE BY: *A* *Shun*



blue silk printing on the bottom polarizer



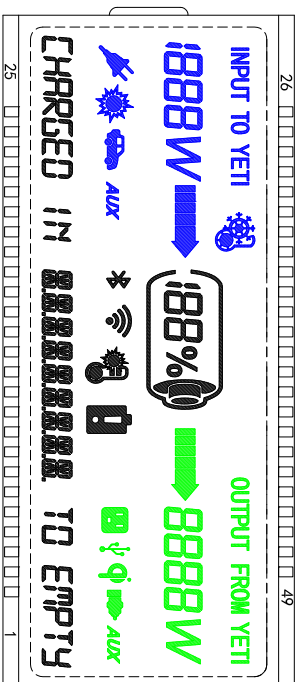
green silk printing on the bottom polarizer

DISPLAYBLY.com 香港布萊克科技有限公司
 DISPLAYBLY (HK) TECHNOLOGY CO., LIMITED

Pro. Mode	JDL0643A00	Drawing Name	silk printing	
SIZE	Tolerance	Draw. BY	GREG	2021.06.09
L < 15	±0.10	Chec. BY	TOM	
15 ≤ L < 100	±0.20	Appr. BY	BEN	
100 ≤ L < 150	±0.25	Scale	Drawing NO.	
Proj. Rule(3)		1 : 1	JDL0643A00-3	Version A

CUSTOMER APPROVE BY:


[Signature]

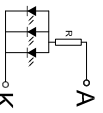
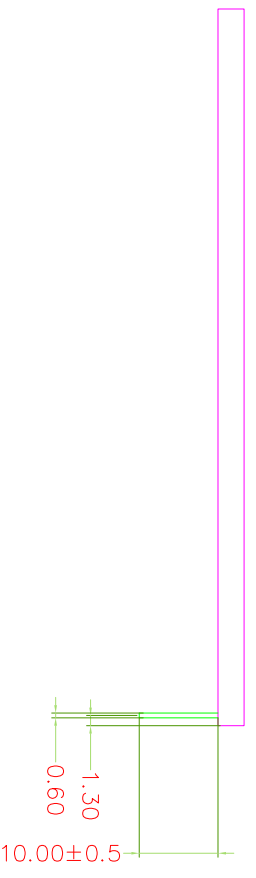
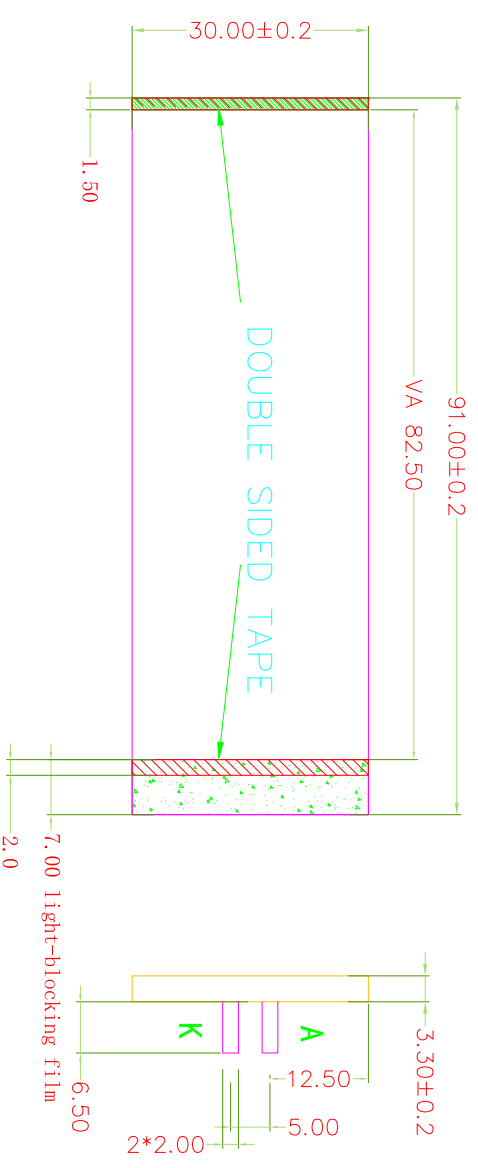


DISPLAY EFFECT

DISPLAYBLY.com 香港布萊克科技有限公司
 DISPLAYBLY (HK) TECHNOLOGY CO., LIMITED

Pro. Mode	JDL0643A00	Drawing Name	display effect	
SIZE	Tolerance	Draw. BY	GREG	2021.06.09
L < 15	±0.10	Chec. BY	TOM	
15 ≤ L < 100	±0.20	Appr. BY	BEN	
100 ≤ L < 150	±0.25	Scale	Drawing NO.	
Proj. Rule(3)		1 : 1	JDL0643A00-4	Version A

CUSTOMER APPROVE BY: 



CIRCUIT DIAGRAM (LED 3 dies)
3 PCS WHITE LED: IP=45mA, V=3.3V

- CHARACTERISTICS :
1. 3pcs SMD LED
 2. Color: White
 3. IF: MAX60mA
 4. uniformity/Luminous Uniformity: $\geq 75\%$
 5. Storage Temperature Range: -25°C TO $+75^{\circ}\text{C}$
 6. Operating Temperature Range: -20°C TO $+70^{\circ}\text{C}$
 7. Unspecified Tolerances is : $\pm 0.3\text{mm}$

电性参数 (Test Datasheet on led backlight:)

Item	Symbol	min.	typ.	max.	Unit	TEST COND.
FORWARD VOLTAGE	Vf	3.1	3.3	3.5	V	IF=45mA
REVERSE CURRENT	Ir			10	μA	VR=5V
WAVELENGTH	WD				nm	IF=45mA
LUMINANCE	Lv				cd/m^2	IF=45mA

DISPLAYBLY.com 香港布萊克科技有限公司
DISPLAYBLY (HK) TECHNOLOGY CO., LIMITED

Pro. Mode	JDL0643A00	Drawing Name	backlight
SIZE	Tolerance	Draw. BY	GREG
L < 15	± 0.10	Chec. BY	TOM
15 ≤ L < 100	± 0.20	Appr. BY	BEN
100 ≤ L < 150	± 0.25	Scale	Drawing NO.
Proj. Rule(3)		1 : 1	JDL0643A00-5
			Version
			A