

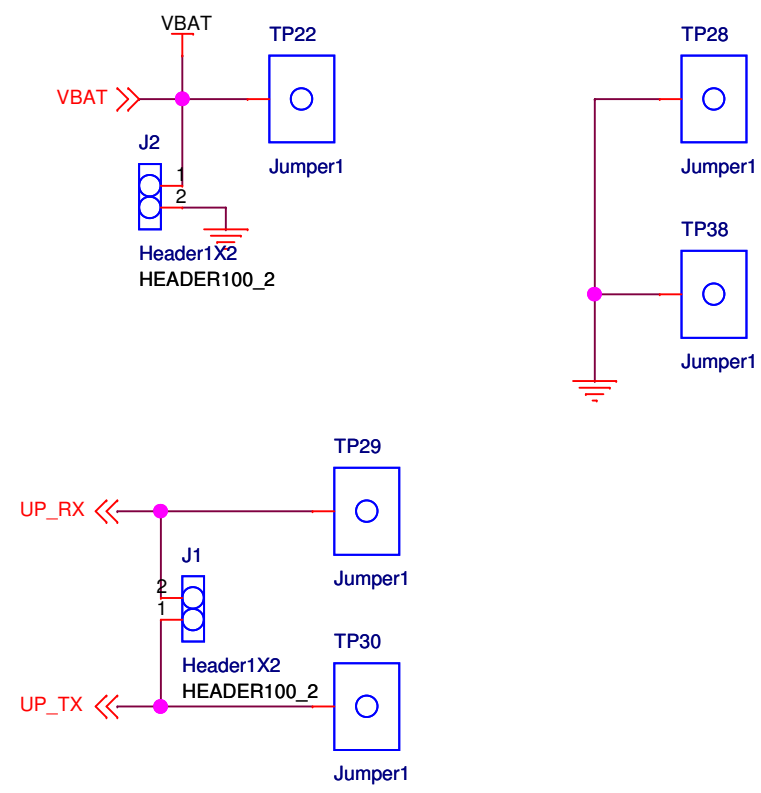
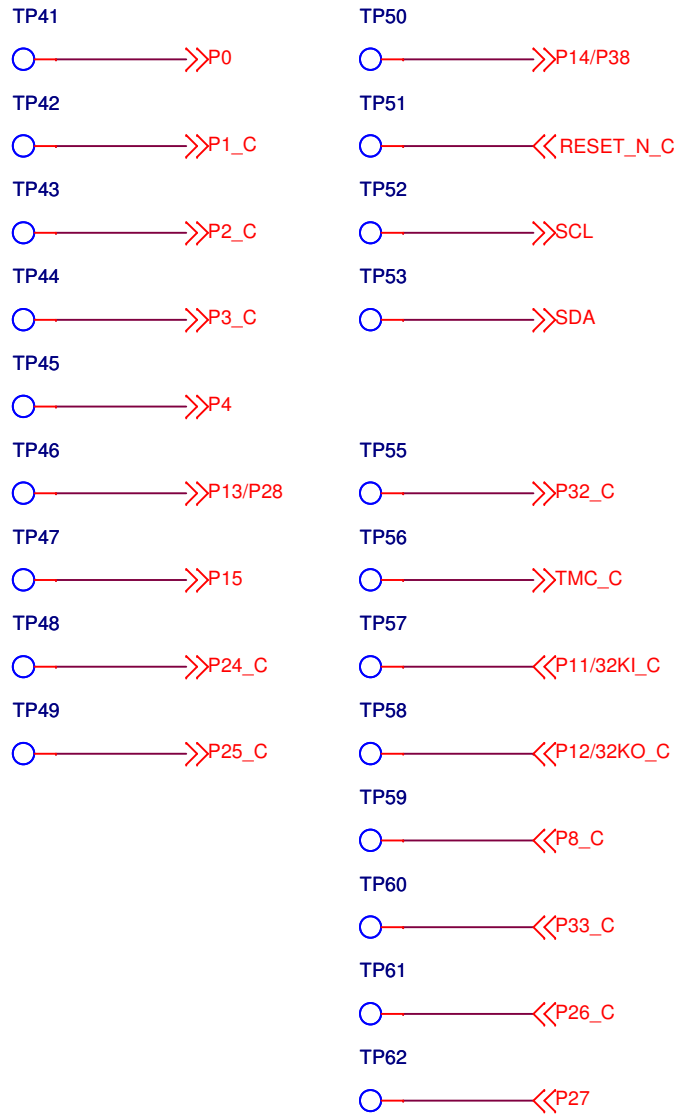
# BCM20732 BLE Module SB-BLE-S03 PEVB Schematics


DATE	Rerision Number	Description
2013/06/18	1.0	Initial release



TITLE : BCM20732 BLESB-BLE-S03 PEVB		
Document Number : <Doc>	Rev. : 1.0	
Prepared by : <Designer>		
Size : C	Date : Tuesday, June 25, 2013	Sheet : 1 of 3





 <b>矽品精密工業股份有限公司</b> Siliconware Precision Industries Co., Ltd.		
TITLE : BCM20732 BLESB-BLE-S03 PEVB		
Document Number : <Doc>	Rev. : 1.0	
Prepared by : <Designer>		
Size : A	Date: Tuesday, June 25, 2013	Sheet : 3 of 3