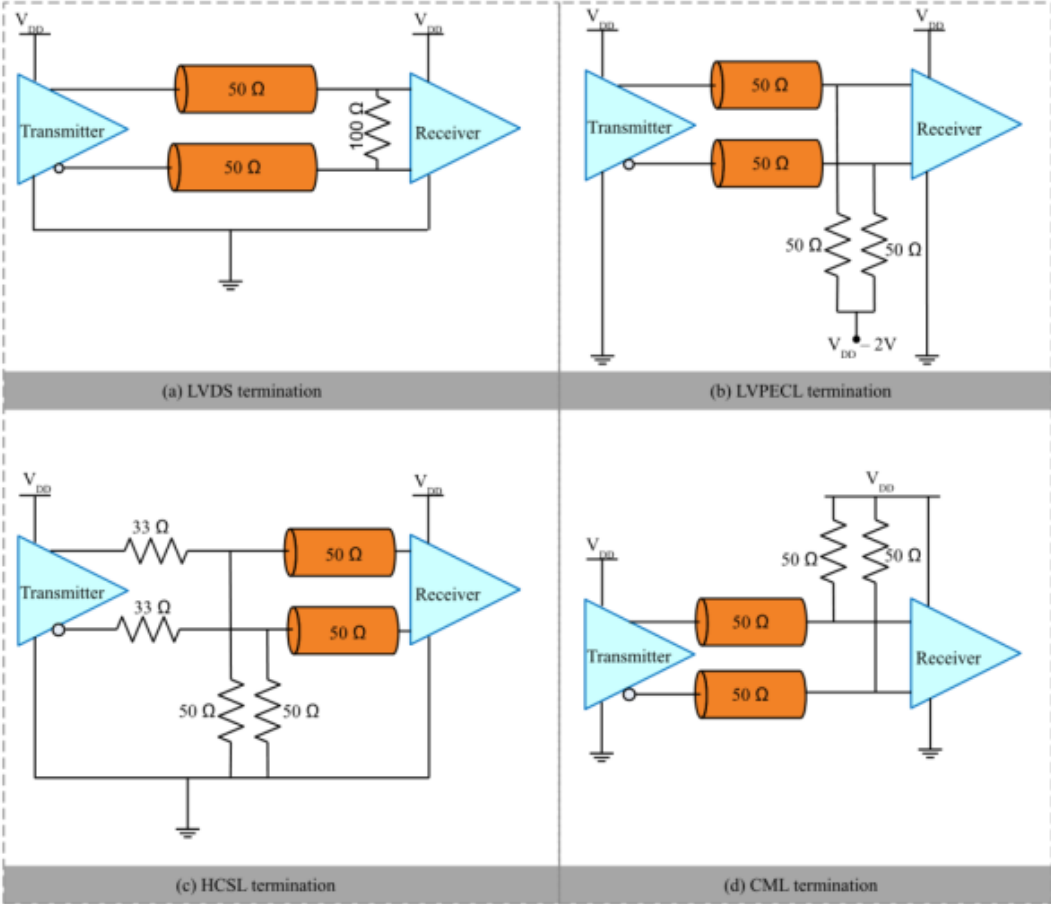


CY2DL1504 input circuit for different standards



- "Receiver" is CY2DL1504 device